

Owner's Manual



Bradley Digital Smoker Professional Series

120v – MODEL BS1019
220-240v – MODEL BS1019CE



Bradley Technologies Canada Inc.
1-866-508-7514
info@bradleysmoker.com
www.bradleymoker.com

Printed in China/ Imprimé en Chine/ Impreso en China/ Gedruckt in China
August 2021/ Août 2021/ Agosto de 2021/ August 2021

Dear Sir or Madam,

Revolutionary Smoking Technology for Household Chefs

Welcome to the wonderful experience of backyard smoking and slow roast cooking. The Bradley Smoker is an insulated smoker oven designed to automatically generate a continuous flow of clean smoke. It is an outdoor electrical appliance that enables one to cook, roast, hot smoke, as well as cold smoke (with addition of ice) food with consistently superior results using minimal effort.

The Bradley Smoker is unique in that it produces smoke which is four times cleaner than traditional burn-box chips* or wood pellets. Because it automatically extinguishes the spent bisquette, it prevents the formation of high temperature gases and acids. In addition, the Bradley Smoker meets both North American and European appliance standards.

There are different woods of the Bradley Flavor Bisquettes that are made especially for your smoker: Alder, Apple, Cherry, Hickory, Maple, Mesquite, Oak, Pecan, Special Blend and Whisky Oak. For recipe ideas, please have a look on the enclosed recipe booklet and on our website: www.bradleysmoker.com.

We also suggest you try our Bradley Recipe Collection, Bradley Jerky Racks, Bradley Original Racks, Sausage Hooks, Weather Guard Covers, Caps, Aprons and the Bradley Digital Thermometer with meat probe that takes all the guesswork out of roasting and smoking meat.

I wish you great cooking and smoking for the years to come.

Sincerely,
Wade Bradley

A handwritten signature in black ink, appearing to read "Wade Bradley". The signature is fluid and cursive, with a large, sweeping flourish at the end.

**Based on studies and tests performed at The British Columbia Institute of Technology.*

Table of contents

✓ Safety.....	Page 4-5
✓ General maintenance	Page 6
✓ External components	Page 7
✓ Internal components	Page 8-9
✓ Assembly instructions	Page 10
✓ How to season for the first time	Page 11
✓ Operating guidelines	Page 12
✓ Optimum use	Page 13
✓ Display functions	Page 14-18
✓ Firmware update	Page 19
✓ Before you call	Page 20
✓ Troubleshooting	Page 21-22
✓ Quick repairs	Page 23-27
✓ Specifications	Page 28
✓ Warranty	Page 29

IMPORTANT SAFETY WARNINGS

PLEASE SAVE THESE INSTRUCTIONS

Read All Instructions Before Use

Basic Safety Precautions

- Carefully read through assembly instructions to prepare smoker for use.
- Do not touch hot surfaces. Use handles or knobs.
- To ensure the smoker racks operate safely, correct placement of the racks between the side runners is imperative. This will ensure that during careful removal of the rack, hot food items should not slide out.
- This appliance can be used by children aged from 8 years and above and persons with reduced physical, sensory or mental capabilities or lack of experience and knowledge if they have been given supervision or instructions concerning the use of the appliance in a safe way and understand the hazards involved.
- Children shall not play with the appliance.
- Children less than 8 years of age shall be continuously supervised when around the appliance.
- Cleaning and user maintenance should not be made by children without supervision
- Unplug from outlet when not in use and before cleaning. Allow to cool before putting on or taking off parts.
- Do not operate any appliance with a damaged cord or plug or after the appliance malfunctions or has been damaged in any manner.
- The use of accessory attachments is not recommended by the appliance manufacturer. May cause injuries.
- Do not modify your smoker from its original state. Modifying the appliance will nullify the warranty.
- Do not let cord hang over edge of table or counter, or touch hot surfaces.
- The cord should be arranged so that it will not drape over the counter-top or tabletop where it can be pulled on by children or tripped over unintentionally.
- Do not place on or near a hot gas or electric burner or in a heated oven or grill.
- Extreme caution must be used when moving an appliance containing hot oil or other hot liquids.
- Always attach plug to appliance first, then plug into the wall outlet. To disconnect, turn all controls to “off”, then remove plug from wall outlet.
- Do not use appliance for any other purpose other than intended use.
- Do not use any other type of wood other than Bradley Flavor Bisquettes®.
- Lift and move smoker with care to prevent strains and back injuries.
- Use caution when reaching into or around smoker.
- It is recommended that a fire extinguisher be placed near the smoker. Refer to your local authority to determine proper size and type of fire extinguisher.
- If extension cord is used, the marked electrical rating of it should be at least as great as the electrical rating of the appliance.
- If an extension cord is required, the cord must be an approved heavy duty cord and not over 1.85 m (6 feet) long.
- Outdoor extension cords should be used with outdoor use products and are surface marked with the suffix letter “W” and with a tag stating “Suitable for use with outdoor appliances”.
- CAUTION: risk of electric shock. Keep extension cord connection dry and off the ground.
- To protect against electric shock, do not immerse cord or plugs in water or other liquids.
- Properly dispose of all packaging.
- Use caution when assembling, operating, handling or cleaning your smoker as some edges on the metal parts may be sharp. (CONTINUED ON PAGE 4a)

Carefully read through Assembly Instructions to prepare smoker for its use on page 10

IMPORTANT SAFETY WARNINGS CONTINUED

- Close supervision is necessary when any appliance is used by or near children.
 - Use extreme caution when removing tray or disposing of hot grease.
 - Do not clean with metal scouring pads. Pieces can break off the pad and touch electrical parts, creating a risk of electric shock.
 - Oversize foods or metal utensils must not be inserted in the Smoker as they may create a fire or risk of electric shock.
 - A fire may occur if the Smoker is covered or touching flammable material, including curtains, draperies, walls, and the like, when in operation. Do not store any item on top of the appliance when in operation.
 - Extreme caution should be exercised when using containers constructed of other than metal or glass.
 - Do not store any materials, other than manufacturers recommended accessories, in this Smoker when not in use.
 - Do not place any of the following materials in the Smoker: paper, cardboard, plastic, and the like.
 - Do not cover tray or any part of the Smoker with metal foil. This will cause overheating of the Smoker.
-
- Turn off the appliance by pressing the switch at the back. *See page 7*
-
- Do not operate any appliance with a damaged cord or plug or after the appliance malfunctions or has been damaged in any manner.
 - Return appliance to the nearest authorized service facility for examination, repair, or adjustment.

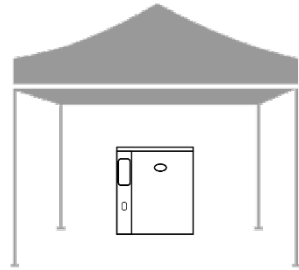
Power cord extension cable

- A short power-supply cord is provided to reduce the risk resulting from becoming entangled in or tripping over a longer cord.
- Longer extension cords are available and may be used if care is exercised in their use.
- If a longer extension cord is used:
 - The marked electrical rating of the extension cord should be at least as great as the electrical rating of the appliance.
 - The cord should be arranged so that it will not drape over the countertop or tabletop where it can be pulled on by children
 - or tripped over unintentionally.
- The cord set or extension cord should be a grounding-type 3-wire cord.

USE OUTDOORS ONLY

Carbon Monoxide Hazard Warning

- The use or combustion of Bradley Flavored Bisquettes in this product could expose user to chemicals such as carbon monoxide. Unventilated use will increase risk of serious health issues, up to and including death
- This appliance has IPX0 moisture rating. To avoid electrical shock it is required to be used outdoors only while being sheltered and 10ft (3m) away from overhead construction, walls or rails.
- Sheltered area must be well ventilated and protected from direct rain and wind.
- Smoker must be placed on hard level, non-combustible surface and away from any other combustible materials like roof overhangs and wall sidings.
- Care should be taken to avoid touching heating elements inside the oven.
- **WARNING:** The appliance and its accessible parts may become hot during use. Young children should be kept away unless continuously supervised
- Cleaning and user maintenance should not be made by children without supervision. • Do not plug in the smoker until it is fully assembled.



When in Use

- Use only approved grounded electrical outlet.
- Use only existing temperature probes supplied with this oven.

Do not leave unattended.

- Do not cover or seal the racks or drip tray with aluminum foil. This can cause severe damage to your smoker.
- Do not move smoker when in use.
- Do not exceed an internal cabinet temperature of 150 °C (300 °F)
- Always wear oven mitts or gloves to protect hands from burns. Do not wear loose clothing or allow hair to hang freely.
- Do not use packaging box to cover the smoker.
- Do not allow rainwater or snow to come in contact with smoker at any time.
- To avoid smoke and carbon monoxide poisoning, do not use product indoors, use in a well ventilated area.
- To avoid electric shock hazard, please use under a shelter or gazebo. Do not use during an electrical storm or in windy conditions. Do not use when raining or snowing.
- Do not use near gasoline or other flammable liquids, gases or where flammable vapors may be present.
- Do not immerse in water.

**Empty water bowl every 2 to 3 hours of
burnt wood bisquettes and refill with fresh water**

After Each Use

- Unplug smoker when it is not in use. See “Maintenance Procedures” section on page 6.
- Place extinguished Bradley Flavor Bisquettes® at a safe distance from all structures and combustible materials.
- Store the smoker in a dry covered place out of reach of children.
- Clean out any grease. Grease build up may cause fire.
- Do not steam clean or power wash this appliance.

General Maintenance

Refer to the External Components List & Internal Components List Diagrams pages 7-9

Important Safety Precautions

- Use precautions during user maintenance
- The Bradley Smoker must be maintained and cleaned after each use.
- Unplug the Long Power Cord from wall outlet prior to commencement of any maintenance or cleaning.
- Do not immerse smoker in water.
- Do not spray inside of smoker with any kind of appliance cleaner.
- Do not cover or seal the Racks or Drip Tray with aluminum foil, this can cause severe damage to your smoker.
- Do not leave unattended when in use.
- Do not spray or clean the smoker with excessive amounts of water. Instead use a damp cloth.

Maintenance Procedures

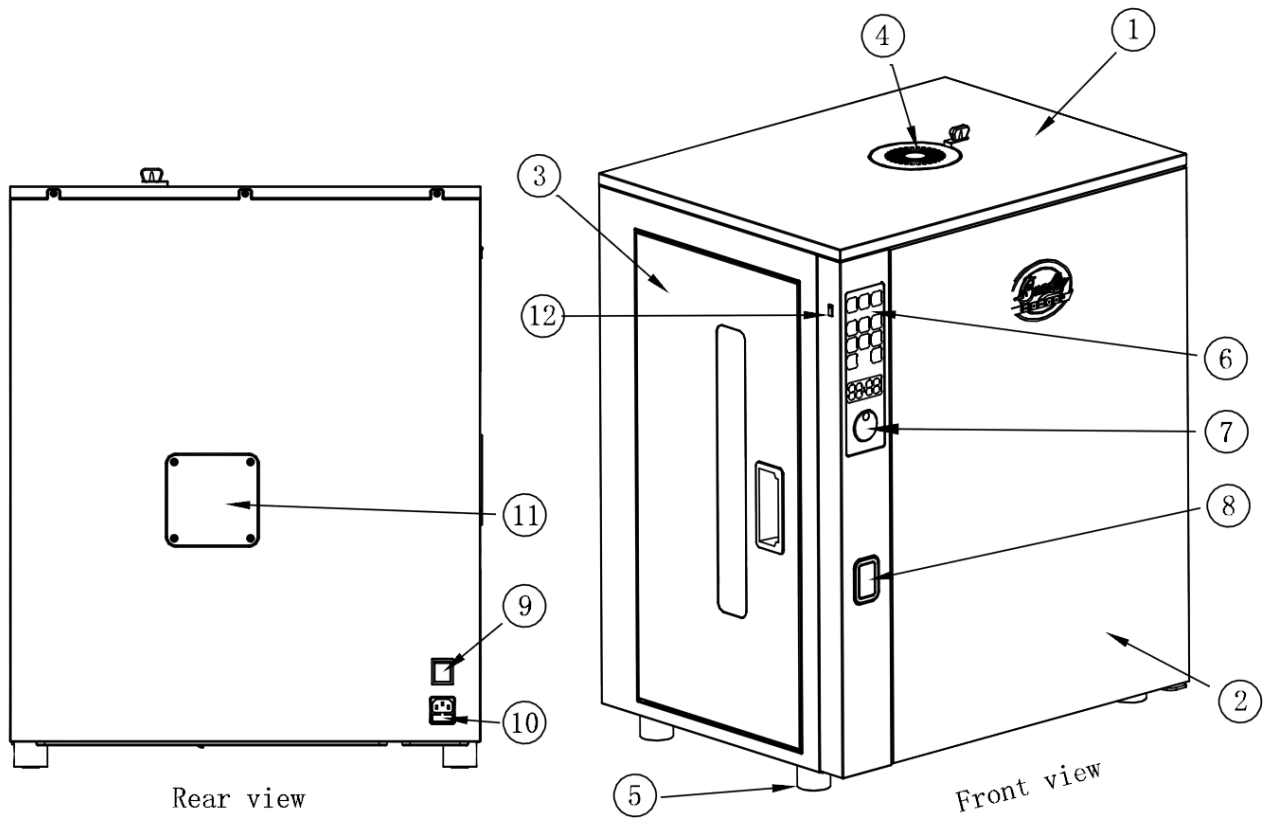
- Unplug the Long Power Cord before removing the Bisquette dispenser from the Smoker
- Use caution when handling and cleaning your smoker as some metal edges may be sharp.
- Clean out the Water Bowl. Dispose of all burnt bisquettes carefully as they may still be hot.
- Wash the Racks, Drip Tray and Renderings Bowl with hot water and dish detergent or put them in the dishwasher.
- Remove food particles and grease residue from the smoker. If the inside needs cleaning, wipe it with a damp cloth.
- *Note: The tower should have smoke or black residue on the inside. The more residues, the better the product will taste.*
- The Bisquette dispenser should be kept clean and free of wood chips and grease at all times. If loose wood chips have collected in the Bisquette dispenser, simply vacuum these particles away.

Refer to “Quick Repairs” on page 24 for removal of the bisquette dispenser.

- The Bisquette dispenser should be lightly scraped using a wire brush or scraper to remove any residue that has been left by the burning process.
- Clean the Damper (at the top of the Smoker) to ensure it is not stuck.
- Wipe the Door Seal with warm water and dish detergent to remove any leftover residues and food particles.
- Wipe the Meat probes with warm damp towel to remove any leftover residues and food particles.
- *Note: The meat probes are not dishwasher safe*

After Cleaning

- Replace Racks, Drip Tray and Bowls into the smoker, making sure all parts are clean and dry.
- Insert the Bisquette dispenser back into the Smoke Tower.
- Make sure the Long Power Cord is kept unplugged when smoker is not been used.



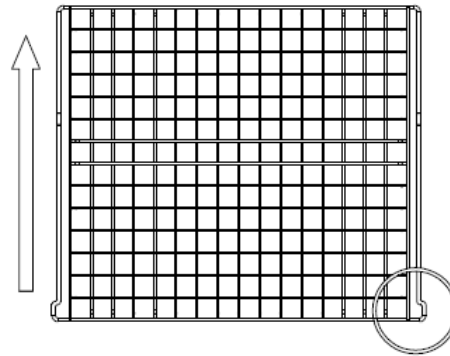
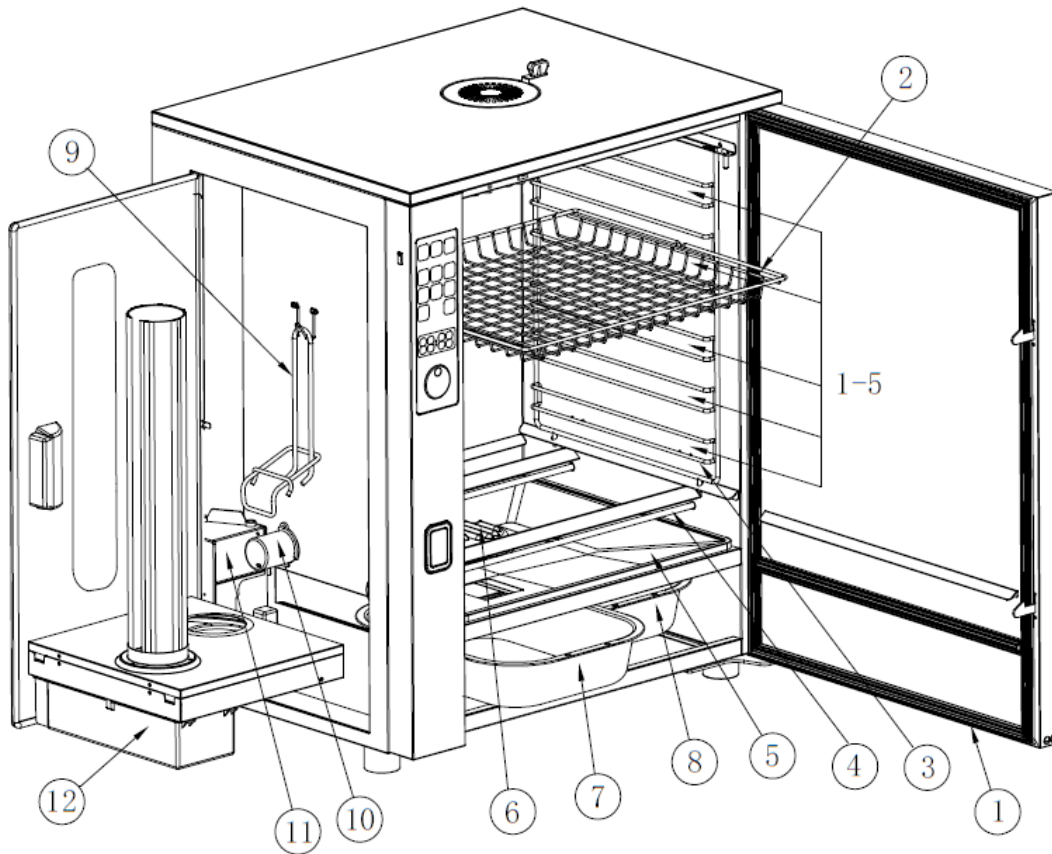
External components

- 1. Smoker cabinet
- 2. Front door
- 3. Bisquette dispenser (side) door
- 4. Chimney vent damper
- 5. Feet
- 6. Display panel
- 7. Rotary knob
- 8. Door open push button
- 9. On/OFF switch
- 10. Power receptacle
- 11. Sensor replacement cover
- 12. USB port *

**Note: The USB port of the unit is designed for uploading recipes and updating the smoker software only.*

DO NOT CONNECT TO ANY COMPUTERS OR SUPPLY POWER TO ANY DEVICES!

Doing so, may cause overload or malfunction of this product.

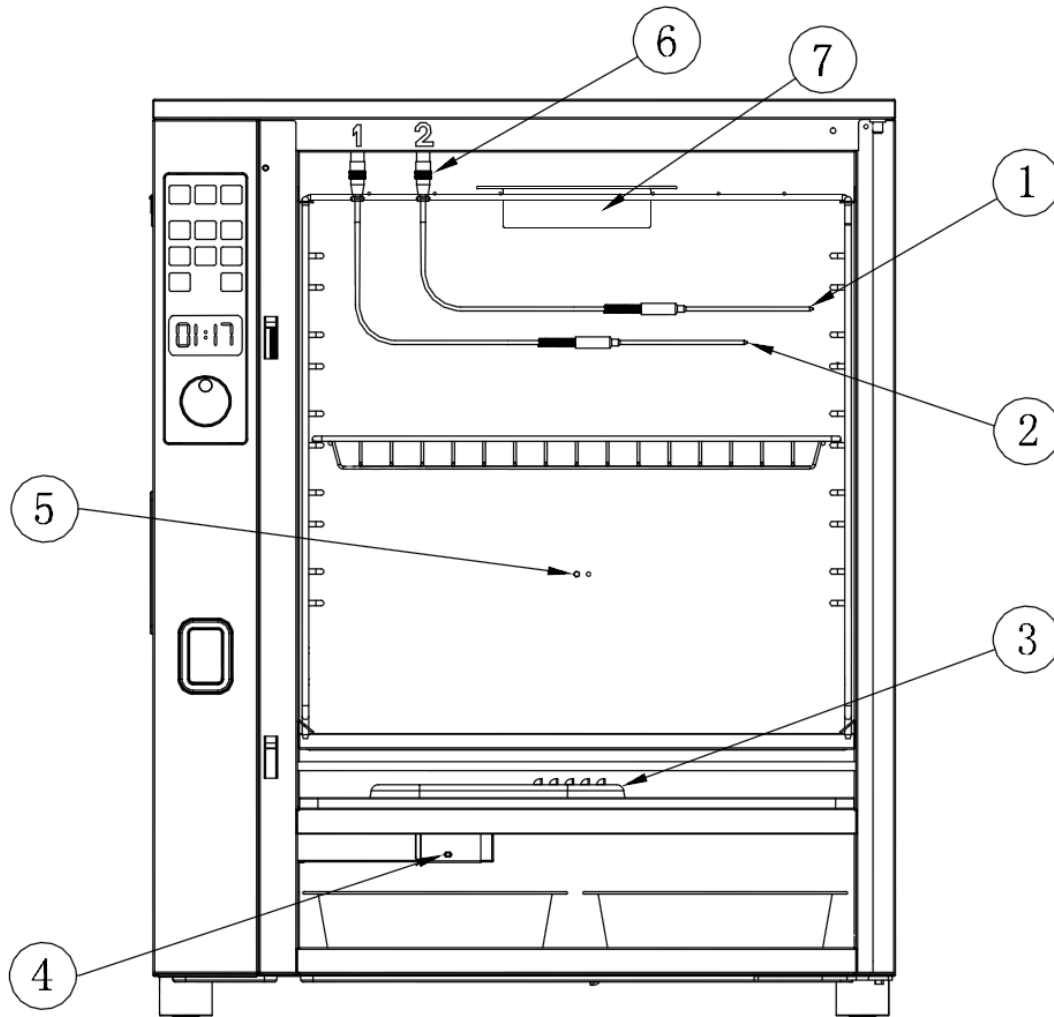


**Note: Rack direction and stopper*

***Note: When using the grill rack, please place it in a suitable position, as shown in the figure: shelves 1-5. If the grill rack is not properly placed, it will not be able to provide a fixed protection.*

Cabinet Internal components

- | | |
|----------------------------|-------------------------------------|
| 1. Door seal | 7. Water bowl |
| 2. Grill rack (4 included) | 8. Renderings bowl |
| 3. Shelving for grill rack | 9. Lifting hook |
| 4. Heating element | 10. Removable heating element cover |
| 5. Drip tray | 11. Wire harness removable cover |
| 6. Smoke diffuser | 12. Bisquette dispenser |



Cabinet Internal components continued

1. Meat probe 1
2. Meat probe 2
3. Smoke diffuser (make sure it is installed correctly as per this drawing)
4. Bisquette dispenser fastening screws.
5. Internal temperature sensor
6. Meat probe wire connector
7. Condensation bowl with rack

Assembly Instructions

How to assemble Bradley Professional Series smoker

Remove smoker from box.

Take all packaged parts out of smoker.

Remove all protective packaging materials from parts.

Set the smoker on firm base; stand or on table.

Open the cabinet door and remove all the internal protective packaging materials

Untie the plastic holding the grill racks from rack shelves.

Remove all the racks, trip tray, smoke cover, water bowl and rendering bowl to clean the cabinet from remaining plastic residues.

Re-install all the components when plastic and packaging have been removed and cabinet has been cleaned from the debris.

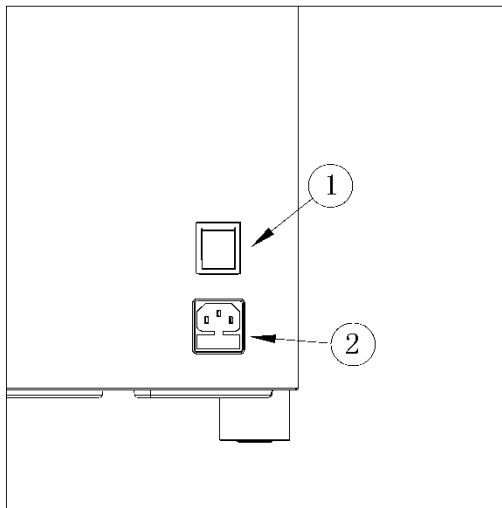
Handling of Packaging

All packaging should be discarded as per the regulations in your area.

Packaging box should not be used as a cover when smoker is in use.

Electrical Connection Set-Up in this order

1. Plug the supplied power cord to the back of the smoker socket (2).
2. Plug the other end of the power cord to the wall socket.
3. Turn on the main power switch (1).



CAUTION

TO ENSURE CONTINUED PROTECTION AGAINST RISK OF ELECTRICAL SHOCK CONNECT TO PROPERLY GROUNDED OUTLET ONLY

CAUTION

DISCONNECT FROM POWER OUTLET BEFORE CLEANING OR SERVICING
DO NOT IMMERSE / DO NOT EXPOSE TO RAIN

This device complies with Industry Canada licence-exempt RRS standard(s). Operation is subject to the following two conditions: (1) this device may not cause, interference and (2) this device must accept any interference, including interference that may cause undesired operation of the device.

Setting up the smoker for the first time for seasoning

Seasoning the Bradley Smoker® is an ongoing process, the more you use it, the better tasting your foods will be. Seasoning is mainly to remove the impartial smells from your smoker. The smell of your new Bradley Smoker® is not necessarily how you want your food to taste.

Seasoning Method:

Slight wash your Racks, Drip Tray, Water Bowl and Renderings Bowl and place them back in smoker. Fill the Drip Bowl with water. Do not exceed the fill level marker.

Plug the power cord to the back of the smoker. Plug the other end of the cord into its own designated outlet. Turn on the main power switch located at bottom right corner at the back of the smoker. Set your settings first, then open the side door and fill the feeder tube with 6 Bradley Flavor Bisquettes®.

Your Smoker will be seasoned having reached 66°C (150°F) and smoked in for 2 hours. Recommended seasoning time is 2 hrs or until Bisquettes are out.

Please refer to display controls on page 14

On main display choose appropriate smoke time, cook time and temperature settings. When seasoning has completed discard the burnt bisquettes. You are now ready to use your smoker.

**Note: each Bisquette burns for 20 minutes.
Open the Damper at the top of the Smoker Tower.*

Operating guidelines

Getting started

After seasoning, empty and refill the Water Bowl with water.

Place your food onto the cooking racks and load them into the smoker.

Set the damper at the desired opening. Do not close the damper all the way when the smoke is running.

Turn ON the Smoker by pressing the power switch. (*please refer to ON switch on page 7 and 10*)

Choose your desired temperatures and cook times and then fill the bisquettes

(*please refer to display controls on page 14-18*)

Note: To get a more accurate temperatures of the food being smoked, use the meat probes.

Keep in mind that the ambient temperature and wind will affect the cooking temperature of the smoker

“ Remember to clean your smoker after each use.”

Doing Cold Smoke:

- Use the smoke option only.
- Open the damper to its maximum.
- If outside temperature is too hot, use ice to keep the temperature around 32°C (90°F)

To avoid ice dripping, place the ice cubes into a plastic container or Ziploc bag and place it on the lower rack. Refill the ice once it's melted.

NEVER PLACE THE ICE LOOSELY ON THE RACKS

NEVER FULLY COVER THE RACK WITH ICE – IT WILL RESTRICT THE SMOKE FLOW

Optimum use of your Bradley Smoker

Bradley Smokers are made to cook low and slow. Take your time and plan ahead as your smoker was designed to smoke slowly at a low temperature. By using this method, you will end up with a better taste and aroma.

Do not overfill your racks – always leave space to allow for constant airflow, otherwise your smoke will be trapped and won't circulate through the entirety of your unit.

To evenly cook or smoke food it is recommended to rotate racks up and down and front to back.

Smoking times and temperature will vary based on the following conditions:

- Ambient air temperature
- Amount of product in the smoker
- Internal temperature of product being smoked
- Displayed temperature readings are for reference only

NEVER fully close your smoker vent.

Empty and refill your water bowl every 2-3 hours

When cooking or smoking foods that are heavy with grease and fat, please place a pie plate or bowl directly under the food to catch as much of the rendering as possible. This will help to keep your Bradley Smoker clean and will extend the life of your smoker. It will also help to prevent the possibility of a grease fire. Do not let the food touch the wall of the smoker.

Always keep your smoker clean to increase the longevity of your unit.

Note: Meat probes cables are not dishwasher safe.

Do not submerge the cables or connecting ends into water or liquid of any sort, this will permanently damage them.

Display Function Guidelines



POWER ON / OFF INDICATOR LIGHT



CHILD LOCK INDICATOR LIGHT



CABINET HEATING INDICATOR LIGHT



TEMPERATURE ADJUSTMENT BUTTON



COOK TIME ADJUSTMENT BUTTON



SMOKE TIME ADJUSTMENT BUTTON



BISQUETTE ADVANCE BUTTON



MEATPROBE 1 BUTTON



MEATPROBE 2 BUTTON



CUSTOM RECIPE BUTTON



TEMPERATURE F / C BUTTON



4 - DIGIT DISPLAY **Note: When icons are greyed out that means they are deactivated*



ROTARY SELECTION AND DIAL KNOB

Display functions explained



ROTARY DIAL / SELECTION

Select the function on the screen you want to adjust

Turning rotary dial clockwise will increase the settings on the 4 – digit display

Turning rotary dial counter clockwise will decrease the settings on the 4 – digit display

By pressing rotary dial the settings selection will be entered



POWER ON / OFF INDICATOR LIGHT*

When power is turned on, the sound will beep once and power indication light will turn red and rotary knob indication light turns blue.

After a 5 second delay, the display will show the cabinet inner temperature and the bisquette dispenser advances one bisquette.

*Note: the display shows “OPEn” when door is in open state.



CHILD LOCK INDICATOR LIGHT*

The child lock will be activated if there is no activity from the screen within 5 minutes. When the child lock is activated, all the adjustments will be disabled.

To deactivate the child lock, press rotary dial for 3 seconds, alarm sounds once and the indication light will turn off.

To activate the child lock, press rotary dial for 3 seconds, alarm sounds once and the indication light will turn on.



TEMPERATURE ADJUSTMENT BUTTON

By touching this button, the button light will flash blue and the 4-digit display will show current cabinet temperature.

Rotate the rotary dial until the 4-digit display shows the desired target temperature.

Press the rotary dial to confirm the setting.

**Note: Adjustment will be cancelled if no confirmation is set within 5 seconds.*

**Note: After choosing the target temperature, the cook time needs to be selected. If the selection has not been made within 60 seconds the temperature selection will be canceled and the indication light will turn off.*

**Note: TOP ROW 3 INDICATORS ARE NOT BUTTONS.THEY ARE INDICATOR LIGHTS ONLY*

**Note: TOUCH BUTTONS REQUIRE JUST SLIGHT TOUCH. THEY ARE NOT PUSH BUTTONS*






COOK TIME ADJUSTMENT BUTTON

By touching this button, the button light will flash blue and the 4-digit display will show flashing start time as 00:00.

Rotate the rotary dial until the 4-digit display shows the desired target time.
Press the rotary dial to confirm the setting. Count down time will begin.

**Note: Adjustment will be cancelled if no confirmation is set within 5 seconds.*


After the cabinet temperature has been selected, the heating elements will turn on and the

following indicator  together with   buttons will be lit:

**Note: to display the remaining cook time press the cook time adjustment indicator*

**Note: when the cook time counter has reached back to 00:00, the heaters will be turned off and alarm will sound for 1 minute.*

To cancel the alarm press the rotary dial

**Note: to cancel the cook time at any time press and hold the  indication light for 3 seconds.*

The heating elements together with  indicator and   buttons will be turned off.



SMOKE TIME ADJUSTMENT BUTTON.

LOAD YOUR BISQUETTES ONLY AFTER THIS STEP IS COMPLETED.

By touching this button, the button light will flash blue and the 4-digit display will show flashing start time as 00:20.

**Note: timer will display internal cabinet temperature if no confirmation within 5 seconds.*

Rotate the rotary dial in 20 min increments until the 4-digit display shows the desired target time.
Press the rotary dial to confirm the setting.

**Note: when the bisquette burner heats up to its operational temperature (not adjustable) the bisquette dispenser rotates ½ turn to deliver the bisquette. Count down time starts.*

**Note: to display the remaining smoke time press the smoke time adjustment indicator.*

**Note: every bisquette burns 20 minutes (not adjustable).*

**Note: reprogramming the smoke time will take effect after previous 20 minutes has elapsed.*

This eliminates unburnt bisquette.

**Note: when the smoke time counter has reached back to 00:00 alarm will sound for 1 minute.*

To cancel the alarm, press the rotary dial

**Note: one minute before the end of the smoke timer, the bisquette burner will automatically turn off to avoid bisquette from over burning.*



BISQUETTE ADVANCEMENT BUTTON

To manually advance the bisquette, touch the button, the button light will flash blue and the turntable will rotate 2x ½ turn. Withdrawing the new and discarding the burnt bisquette happens at the same time. Digital display shows “FEEd” during bisquette advancement. After the bisquette has been advanced digital display will show “dONE”

After turntable has completed the turn, the turntable reverses slightly and the cabinet internal temperature will be displayed once again.

Note: Water bowl must be emptied regularly every 2-3 hours. Otherwise bisquette jam can occur.

Note: This button is designed mainly for emptying the system at the end of the smoke session.

Set your settings first, before loading the bisquettes. Otherwise pressing this button will advance the bisquette into the water bowl.



MEATPROBES 1 / 2

By touching this button, the button light will flash blue and the 4-digit display will show the current probe temperature.

**Note: If no confirmation occurs within 5 seconds, the 4-digit display will switch back to the cabinet internal temperature.*

Rotate the rotary dial until the 4-digit display shows the desired target alert temperature. Press the rotary dial to confirm the setting.

**Note: Adjustment will be cancelled if no confirmation is set within 5 seconds.*

When the meat probe reaches the desired alert setting, the indication light will flash blue and alarm will sound for 1 minute. To cancel the alarm press the rotary dial.

To cancel the meat probe operation, touch and hold the probe button for 3 seconds.



TEMPERATURE F / C

By touching this button, the button light will flash blue and the 4-digit display will show current temperature in °F or °C. touching the button once will change the unit.

**Note: conversion from °F to °C is calculated as follows: (°C) = (Fahrenheit (°F)-32) ÷1.8*



CUSTOM RECIPE

**Note: Your Custom Recipe Menu sequences must be created in the Bradley Custom Recipe Menu App and downloaded to USB flash drive.*


**Note: do not power off the smoker during the update. After the update is completed the smoker will restart automatically.*

Copy the recipe file in .txt format to the root of the empty USB flash drive.
Insert the flash drive with copied program into USB port. *See page 19*

Press and hold this indicator for 5 seconds, buzzer will sound.
Smoker will connect to flash drive and digital display will show EEEE

When completed, digital display will not show EEEE, remove the USB flash drive, insert the protective cover to USB slot and press the custom recipe indicator again.
Indication light will flash blue and the 4-digit display will show a flashing menu code 01.
Rotate the rotary dial until the 4-digit display shows the desired menu code from 01 - 50
Press the rotary dial to confirm the setting. After confirming the selection, the smoker will run the desired program uploaded from the USB.



To cancel the recipe menu operation, touch the  button, rotate the rotary dial to choose the menu code "0" and press the rotary dial to confirm the setting cancelling the menu operation.

**Note: When a new recipe file has been created and copied into the smoker, all previous recipe versions will be erased.*

You can create a total of 50 Recipe Menus with 25 cook and smoke sequences in each. To download the Bradley Custom Recipe Menu app please go to:

<https://www.bradleysmoker.com/bs1019-custom-recipes>

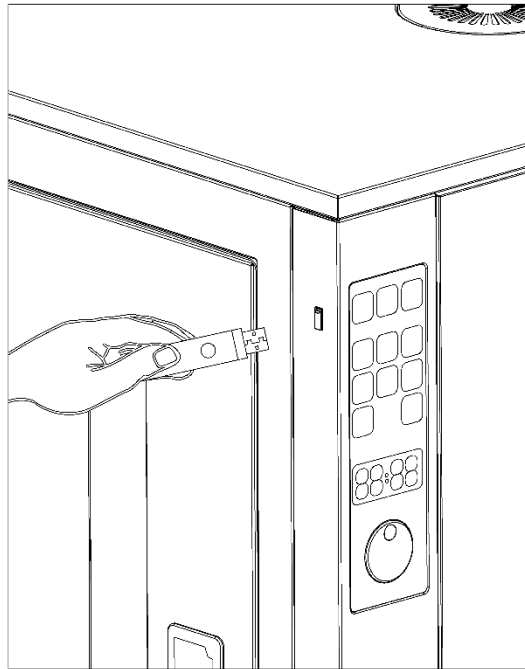
**Note: The USB port of the unit is designed for uploading recipes and updating the smoker software only.*

DO NOT CONNECT TO ANY COMPUTERS OR SUPPLY POWER TO ANY DEVICES!

Doing so, may cause overload or malfunction of this product.

FIRMWARE UPDATE

Go to <https://www.bradleymoker.com/product/2019-pro-update/> (scroll to firmware tab) and download the latest firmware update and save it on USB flash drive.



Please follow these steps:

1. Make sure the smoker is turned ON
2. Insert the USB flash drive containing downloaded .bin file.
3. Touch and hold recipe button for 3 seconds, buzzer will sound and smoker will read the flash drive. During this updating process, the display will show EEEE.
4. When the update is complete, the smoker will restart automatically.
5. After the smoker restarts, you can remove the flash drive.
6. Insert the protective cover to the USB slot.
7. To check the software version or confirm it has been installed , power OFF the smoker.
8. Press and hold the rotary dial, while turning ON the main power switch at the back.
9. The display will show the current software version.
All the operations are disabled during this period.
10. To start the smoker normally again power the smoker OFF for 3 seconds and then switch it back ON

**Note: Do not power off the smoker during the update.*

**Note: The USB port of the unit is designed for uploading recipes and updating the smoker software only.*

DO NOT CONNECT TO ANY COMPUTERS OR SUPPLY POWER TO ANY DEVICES!

Doing so, may cause overload or malfunction of this product.

BEFORE YOU CALL

Before Calling Customer Service, please visit our Bradley Support page at:

<https://www.bradleysmoker.com/product/2019-pro-support/> (scroll to the support tab)

Read this manual for troubleshooting information. Refer to the “Warranty” page for more information.

To reach a service representative, please be prepared with the model number and serial number prior to calling. The model and serial number can be found on the shipping box, at the front of the manual or at the back of the smoker cabinet.

We realize that you have made a considerable investment and we are dedicated to supporting you and your smoker so that you have many years of creative smoking.

Please don't hesitate to contact our Customer Support if you have any questions or in the unlikely event that your Bradley Smoker needs service. We are ready to assist you.









Please retain your invoice papers for warranty validation if service is needed.






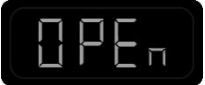
For warranty and customer services please call: 1 866-508-7514 (toll free)

TROUBLESHOOTING

ERROR CODES

To better help with trouble shooting, your smoker has a built-in messaging system displaying the probable cause of error codes.

Error codes	Error meaning	Principal and Remedy
	HEAT ELEMENT FAILURE	<p>When cabinet temperature increase is less than 8 degrees during a 5 minute period and inner temperature is less than 80% from the set point value, the error code will be displayed with an audible alarm.</p> <p>Heating indicator  flashes. Press the rotary dial to cancel the alarm. Change the faulty heating element. See page 23.</p>
	BISQUETTE BURNER FAILURE	<p>If the burner temperature is less than 100 degrees and has increased less than 3 degrees within a 1 minute period the error code will be displayed with an audible alarm.</p> <p>Smoke time button  flashes. Press the rotary dial to cancel the alarm. Change the faulty heating element. See page 24.</p>
	PLEASE CHECK YOUR SMOKER, JAMMED BISQUETTE	<p>When turntable rotation has not been detected within 1 minute, the turntable will reverse for 10 seconds and will try to advance again. After 3 consecutive failed attempts the error code will be displayed with an audible alarm. Press the rotary dial to cancel the alarm. Clear the jammed bisquette.</p>
	THE OVEN IS TOO HOT! PLEASE CHECK THE OVEN	<p>In the unlikely event, when the cabinet internal temperature reaches past 180°C/356°F, the heating indicator  together with heaters will be turned OFF and the error code will be displayed with an audible alarm. The alarm can only be cancelled when temperature has dropped below 170°C/338°F by pressing the rotary dial.</p>
	CABINET TEMPERATURE SENSOR FAILURE	<p>When the smoker detects the sensor failure or loses the connection with it, the error code will be displayed with an audible alarm. Press the rotary dial to cancel the alarm. Check the sensor and its connections. To replace the sensor see page 25.</p>

	<p>BISQUETTE BURNER TEMPERATURE SENSOR FAILURE</p>	<p>When the smoker detects the sensor failure or loses the connection, the error code will be displayed with an audible alarm. Press the rotary dial to cancel the alarm. Check the sensor and its connections. To replace the sensor see page 24</p>
 	<p>MEAT PROBE 1 /2 NOT CONNECTED</p>	<p>When the smoker detects a probe failure or loses the connection during the process, the error code will be displayed with an audible alarm. Press the rotary dial to cancel the alarm. Check the sensor and its connections.</p> <p><i>*Note: If sensor is not connected before starting the smoking process, no alarms will be displayed.</i></p>
	<p>MEAT PROBE 1 NOT CONNECTED PROPERLY</p>	<p>When the system detects the partial resistance of the probe, the message will be displayed. Disconnect and reconnect the probe properly.</p>
	<p>MEAT PROBE 2 NOT CONNECTED PROPERLY</p>	<p>When the system detects the partial resistance of the probe, the message will be displayed. Disconnect and reconnect the probe properly.</p>
	<p>ALL THE CONTROLS HAVE BEEN DISABLED. PLEASE CLOSE THE DOOR BEFORE CONTINUING THE OPERATION</p>	<p>When the cabinet door becomes open, the message will be displayed. Cabinet continues functioning as programmed, but all the controls will be disabled. After closing the door, all the functions will be available again and the cabinet internal temperature will be displayed.</p>

When the food has reached to the set point or timer has elapsed display shows the following:

Message on the display	Smoker actions
Food temperature probe 1 indicator flashing	Beeping sound only
Food temperature probe 2 indicator flashing	Beeping sound only
Time indicator flashing	Beeping sound and all heaters will turn off

QUICK REPAIRS

Only an authorized technician may work on electrical repairs on this appliance.

Bradley Technologies Canada Inc. accepts no responsibility for any malfunction or damage which is caused by unsuitable electrical repairs.

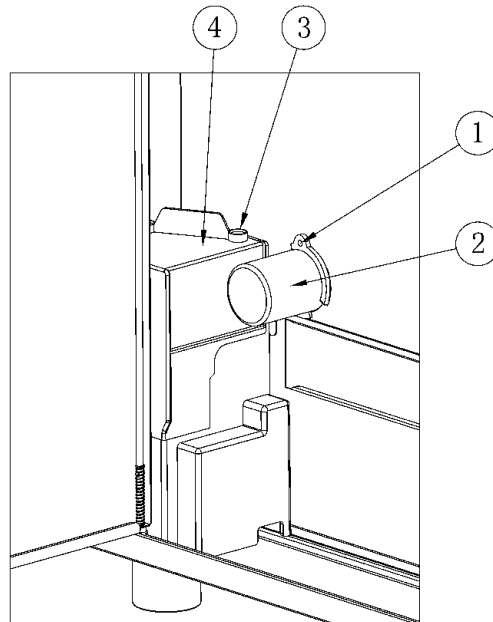
Main heating element replacement



This error occurs when one or both of the elements are not supplying heat to the cabinet. The operating system compares the target set point with actual temperature. If the temperature is 8 degrees less than a target, the alarm will be displayed and beeping alarm will sound.

To Change the heating element, follow these steps:

1. Turn off the power switch. See the Switch (9) location on page 7
2. Disconnect the power cable from the electrical outlet.
3. Ensure adequate time to cool down the smoker after use
4. Remove the phillips screw (1) located on top of the heating element cover (2)
5. Turn the heating element cover (2) counter clockwise and pull it gently out
6. Disconnect the electrical cable from the heating element
7. Pull the heating element out from it's socket



QUICK REPAIRS

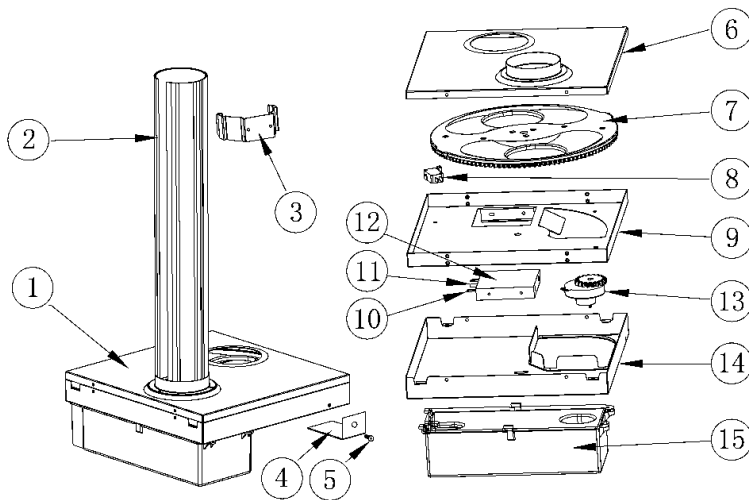
Only an authorized technician may work on electrical repairs on this appliance.

Bradley Technologies Canada Inc. accepts no responsibility for any malfunction or damage which is caused by unsuitable electrical repairs.



Bisquette burner and burner sensor removal

This error occurs when one or both of the elements are not supplying heat to the bisquette burner. If burner temperature is less than 100 degrees and or has increased less than 3 degrees, within 1 minute the alarm will be displayed and beeping alarm will sound.



1. Bisquette dispenser assembly
2. Feeding tube
3. Feeding tube support bracket
4. Slide rail*

*located inside of the smoker cabinet

5. Fastening screw
6. Bisquette dispenser cover
7. Turn table
8. Positioning switch
9. Bisquette dispenser middle plate
10. Bisquette heaters
11. Bisquette burner sensor
12. Bisquette burner plate
13. Drive motor
14. Bisquette dispenser bottom plate
15. Burner controller

To change the burner* follow these steps:

1. Turn off the power switch. See the Switch (9) location on page 7.
2. Disconnect the power cable from the electrical outlet.
3. Ensure adequate time to cool down the smoker after use.
4. Remove the bisquettes and bisquette tube (2).
5. To loosen the bisquette assembly, remove 2 phillips screws (5) located in the cabinet (page 9).
6. To remove the cables cover (page 23) (4) remove the phillips screw (3) located in the side cabinet.
7. Pull out the cables cover vertically.
8. Disconnect 2 cable harness connectors.
9. Gently pull out the bisquette dispenser assembly.
10. Remove the burner controller (15).
11. Remove 4 bottom screws connecting the bisquette dispenser, middle plate(9) and bottom plate (14) together.
12. Disconnect both bisquette heater cables (10) and sensor cable (11).
13. Loosen 4 screws holding the bisquette burner plate and remove it.
14. Loosen the bisquette burner sensor, remove the screw holding it and gently pull out the sensor.

**NOTE This procedure also applies when changing drive motor (13). To change the positioning switch (8) loosen the 4 screws on bisquette dispenser cover (6). Remove the cover to access the switch (8)*

QUICK REPAIRS

Only an authorized technician may work on electrical repairs on this appliance.

Bradley Technologies Canada Inc. accepts no responsibility for any malfunction or damage which is caused by unsuitable electrical repairs.

Cabinet sensor and temperature high limit switch removal

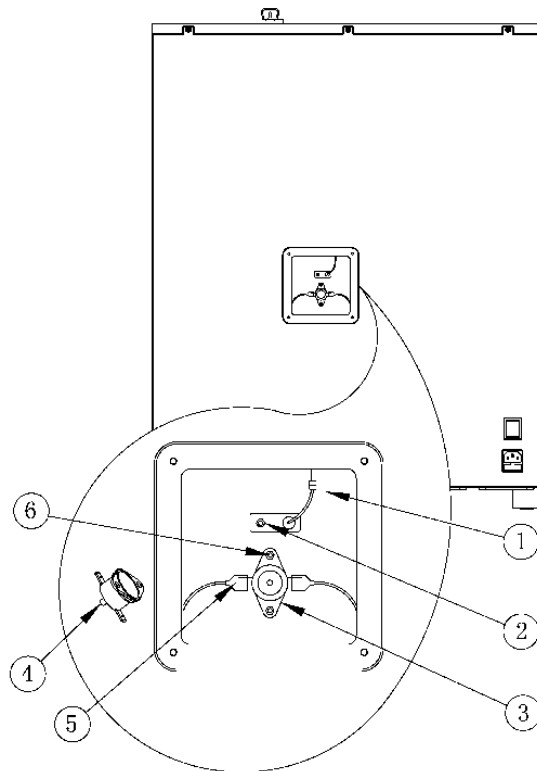


When the smoker detects the sensor failure or loses the connection, the error code will be displayed with audible alarm. Press the rotary dial to cancel the alarm. Check the sensor and its connections.

To change sensor in the cabinet, follow these steps:

1. Turn off the power switch. See the Switch (9) location on page 7.
2. Disconnect the power cable from the electrical outlet.
3. Ensure adequate time to cool down the smoker after use.
4. Remove all racks from the smoker.
5. Remove 4 phillips screws holding down the sensor cover plate. See #11 at page 7.
6. Remove the cover and the piece of insulation covering the sensor.
7. Disconnect the sensor wire connector (1).
8. Remove the phillips screw (2) from inside the cabinet holding the sensor and replace the sensor.

9. High temperature limit switch (3) is located just below the temperature sensor.
10. It can be reset by pressing on the middle knob on the switch itself (4).
11. To replace the switch, disconnect the wire leads (5) on either side of the switch and remove the 2 phillips screws (6).



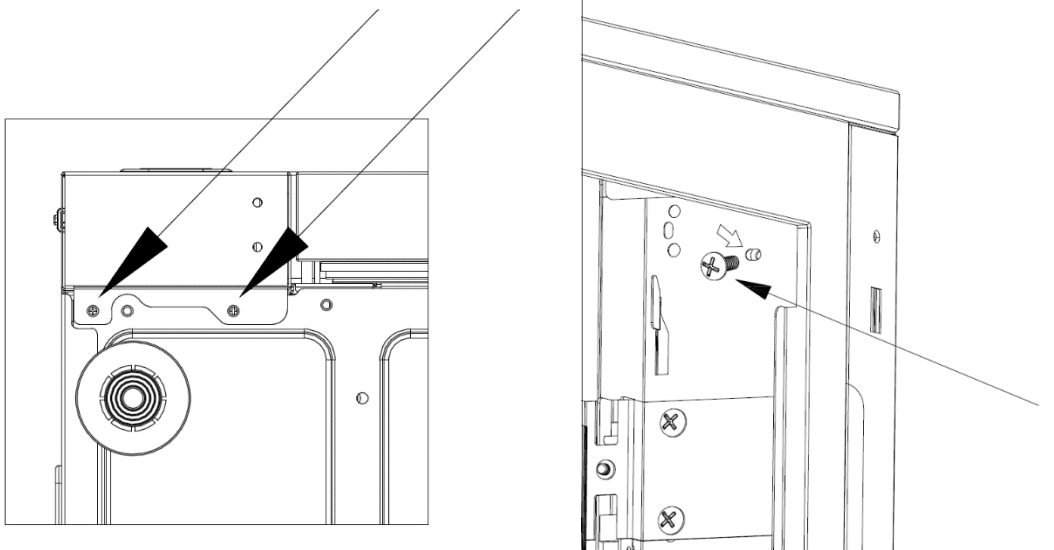
QUICK REPAIRS

Only an authorized technician may work on electrical repairs on this appliance.
Bradley Technologies Canada Inc. accepts no responsibility for any malfunction or damage which is caused by unsuitable electrical repairs.

Control display panel removal

When a faulty display needs to be changed, please follow these steps:

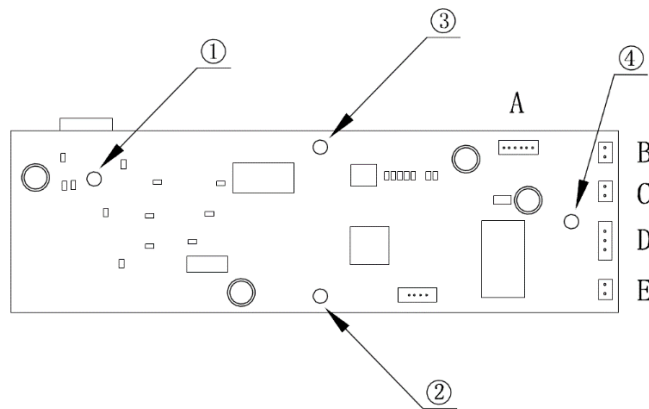
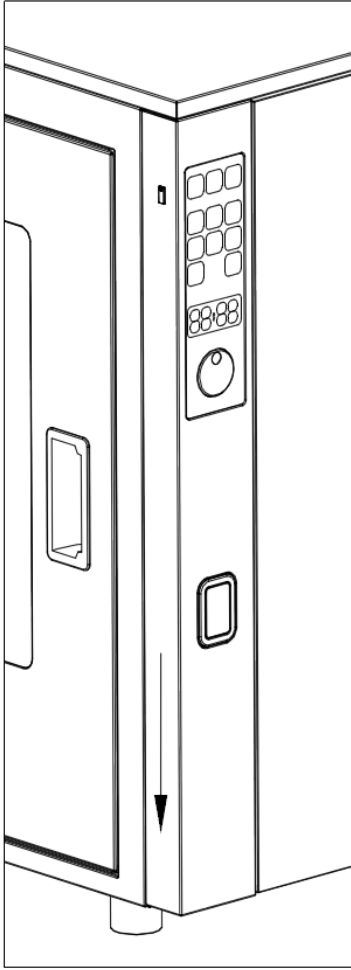
1. Turn off the power switch. See the Switch (9) location on page 7.
2. Disconnect the power cable from the electrical outlet.
3. Ensure adequate time to cool down the smoker after use.
4. Remove all the racks, bowls and the drip tray.
5. Remove the feeder tube and bisquettes inside.
6. Place the smoker down on its back on an even and flat surface.
7. Remove 2 screws from the bottom fixing plate (*see illustration below*).
8. Open the side door and remove 3rd screw. (*see illustration below*).



Continued on page 27

9. Press down the door button and gently apply downward motion to entire vertical metal panel till it releases.

See the illustration to the left



See the circuit board illustration above right

10. Gently disconnect all the cable sockets one by one and set them aside.
 - A. main wire harness
 - B. meat probe wire 1
 - C. meat probe wire 2
 - D. cabinet temperature sensor wire
 - E. door switch wire
11. Remove phillips screws (1 - 4)holding down the display board.
12. Gently remove the board from it's location.
13. While removing the board, watch the USB port so it does not get stuck behind the panel edge.
14. Reinstall the the new display with reverse order of steps described above.

ELECTRICAL SPECIFICATIONS

Rated Voltage	120 / 220-240V AC (country specific by factory default)
Rated Frequency	50 / 60 Hz
Rated Power	1000W
Main heating element	2 x 400W
Bisque burner	2 x 100W

CAPACITIES

Internal volume	76L
Total racks	10 rack capacity (4 included)
Cooking area	5 x 0.13m ² / 5 x 201.6 in ²

OPERATING SPECIFICATIONS

COOK TIME SPECIFICATIONS

Cook time adjustable range	0-10Hrs
Cook time adjustable increment	10 mins at a time

SMOKE TIME SPECIFICATIONS

Smoke time adjustable range	00:20-9:40Hrs
Smoke time adjustable increment	20 mins at a time

OPERATING TEMPERATURE SPECIFICATIONS

Smoker internal operating temperature range	30-160°C/86-320°F
Smoker internal adjustable range increment	1°C/1 or 2°F at the time
Outside operating temperature range	-9 – to +50°C/15.8-122°F

**Note: do not operate outside of those parameters – permanent damage can occur.*

**Note: COLD will be displayed on the display panel when the temperature reaches below -10 °C/14°F
Smoker will not turn on.*

MEAT PROBE OPERATING SPECIFICATIONS

Adjustable target temperature range when connected to the smoker	30-100°C/86-212°F
Adjustable range increment	1°C/1 or 2°F at the time
Internal food measurement range	0-100°C/32-212°F

**Note: Meat probes are not dishwasher safe.*

**Note: For best practices leave the probes connected at all times.*

WARRANTY

The Bradley Smoker carries with it a 1 year limited warranty against manufacturing defects.

Requirements and Limitations:

Warranty is effective from the date of purchase. Keep your sales receipt as proof of purchase date. Warranty is limited to repair or replacement of parts determined by Bradley Technologies Inc.

Bradley Technologies Inc. at its discretion will provide a replacement part for any component found by Bradley Technologies Inc. to be defective and shall not be responsible for any reassembly.

This limited warranty is non-transferable. Warranty covers manufacturer's defects only. This limited warranty will not reimburse you for the cost of any inconvenience, food, personal injury or property damage.

Warranty is valid only in the country of purchase. Shipping and handling charges are the responsibility of the original consumer/purchaser for all out of warranty parts ordered.

Serial number of the smoker must be provided on all warranty claims. Bradley Technologies Inc. excludes from its warranty the following:

Defects, damage resulting from accident, abuse, misuse, alteration, improper assembly, installation and vandalism are not covered. Damage resulting from weather conditions including but not limited to hail, hurricanes, tornados, earthquakes, wind, rain or snow are not covered.

Normal wear and tear, chipping and scratching on surface finishes will not be covered.

Discoloration from exposure to sunlight, heat or chemicals is not covered by this warranty.

Modifications to original smoker components or condition will nullify this warranty.

Failure to perform regular maintenance, safety checks and service including but not limited to; removal of grease build up resulting in a flash fire, damage caused by grease fires is not covered by this warranty.

*To ensure your satisfaction and for follow-up service, register your smoker online at:
www.bradleysmoker.com*

For warranty and customer services please call: 1 866-508-7514 (toll free)

Correct Disposal of this product



This marking indicates that this product should not be disposed with other household wastes throughout the EU. To prevent possible harm to the environment or human health from uncontrolled waste disposal, recycle it responsibly to promote the sustainable reuse of material resources. To return your used device, please use the return and collection systems or contact the retailer where the product was purchased. They can take this product for environmental safe recycling.

Manuel d'instructions et d'utilisation



Fumoir numérique professionnel Bradley de 5 grilles

120 v – MODÈLE BS1019
220-240 v – MODÈLE BS1019CE



Bradley Technologies Canada Inc.
1-866-508-7514
info@bradleymoker.com
www.bradleymoker.com

Printed in China/ Imprimé en Chine/ Impreso en China/ Gedruckt in China
August 2021/ Août 2021/ Agosto de 2021/ August 2021

Madame, Monsieur,

Technologie de fumage révolutionnaire pour les chefs cuisiniers à la maison

Nous vous souhaitons de bien profiter de l'exceptionnelle expérience du fumage et de la cuisson lente par grillage dans votre propre arrière-cour. Le fumoir Bradley est un four de fumage isolé conçu pour générer automatiquement une circulation continue de fumée propre. Il s'agit d'un appareil électrique conçu pour l'extérieur permettant de cuire, de griller et rôtir ainsi que de fumer à chaud ou à froid des aliments en obtenant chaque fois des résultats supérieurs avec un minimum d'efforts.

Le fumoir Bradley est unique en son genre, car il produit une fumée qui est quatre fois plus propre que celle produite par les copeaux brûlés dans les boîtes de combustion classiques*. Parce que le fumoir éteint automatiquement la bisquette consommée, il évite la formation de gaz et acides libérés à températures élevées. En outre, le fumoir Bradley satisfait à toutes les normes pour les appareils utilisés en Amérique du Nord et en Europe.

Les briquettes de bois aromatiques Bradley Flavor Bisquettes®, fabriquées spécialement pour votre fumoir, sont offertes en différentes essences de bois : aulne, pommier, cerisier, caryer (hickory), érable, mesquite, chêne, caryer pacanier, mélange du Pacifique, mélange spécial et chêne au whisky. Consultez les idées de recettes offertes dans le livret de recettes inclus et sur notre site Web : www.bradleymoker.com.

Nous vous recommandons également d'essayer notre collection de recettes Bradley, les grilles à viande boucanée (jerky) Bradley, les grilles et supports originaux Bradley, les crochets à saucisses, les housses de protection imperméables, les casquettes et tabliers, et notre thermomètre numérique Bradley avec sonde à viande qui élimine les incertitudes lors de la cuisson et du fumage des viandes.

Je vous souhaite de nombreuses années de plaisir à cuisiner et fumer vos aliments préférés avec notre fumoir intelligent.

Avec mes sincères salutations,



Wade Bradley

**D'après des études et des essais effectués à l'Institut de technologie de la Colombie-Britannique. (The British Columbia Institute of Technology).*

Table des matières

✓	Consignes de sécurité.....	Page 4 à 6
✓	Entretien général	Page 7
✓	Liste des pièces externes.....	Page 8
✓	Liste des pièces internes.....	Page 9 à 10
✓	Instructions pour le montage.....	Page 11
✓	Comment assaisonner la première fois.....	Page 12
✓	Directives pour le fonctionnement.....	Page 13
✓	Utilisation optimale.....	Page 14
✓	Guide d'affichage des fonctions.....	Page 15 à 19
✓	Mise à jour du Firmware.....	Page 20
✓	Avant de nous contacter.....	Page 21
✓	Dépannage.....	Page 22 à 23
✓	Réparations rapides.....	Page 24 à 29
✓	Spécifications	Page 30
✓	Garantie	Page 31

IMPORTANTES CONSIGNES DE SÉCURITÉ

VEUILLEZ CONSERVER CES INSTRUCTIONS

Veillez lire attentivement les instructions avant toute utilisation
Précautions élémentaires de sécurité

- Lisez attentivement les instructions de montage pour préparer le fumoir à l'utilisation.
- Ne touchez pas les surfaces chaudes. Utilisez les poignées ou les boutons.
- Pour assurer le bon fonctionnement des grilles de fumoir, il est très important de bien placer les grilles entre les glissières latérales. De telle façon, vous vous assurerez que les aliments chauds ne glisseront pas lorsque vous enlevez soigneusement la grille.
- Afin d'éviter tout risque potentiel de choc électrique, n'immergez pas les cordons d'alimentation ou les fiches électriques dans l'eau ou autre liquide.
- Cet appareil peut être utilisé par des enfants de 8 ans et plus et des personnes qui ont des capacités physiques, sensorielles ou mentales réduites ou qui ont un manque d'expérience ou de connaissances si elles sont supervisées ou si elles ont reçu des instructions relatives à l'utilisation de l'appareil de façon sécuritaire et qu'elles comprennent les risques impliqués.
- Les enfants ne doivent pas jouer avec l'appareil.
- Le nettoyage et l'entretien ne doivent pas être effectués par des enfants sans supervision.
- Débranchez l'appareil de la prise lorsque vous ne l'utilisez pas ou avant de le nettoyer. Laissez refroidir l'appareil avant d'y fixer ou d'en retirer une pièce.
- Ne faites pas fonctionner un appareil lorsque le cordon ou la fiche sont endommagés, lorsque l'appareil lui-même est endommagé de quelque manière que ce soit ou après un défaut de fonctionnement de l'appareil.
- L'utilisation d'accessoires non recommandés par le fabricant peut causer un incendie, un choc électrique ou des blessures.
- N'apportez pas de modifications à votre fumoir. Laissez-le à l'état d'origine. Toute modification de l'appareil annulera sa garantie.
- Ne laissez pas le cordon pendre sur le bord d'une table ou d'un comptoir ni entrer en contact avec une surface chaude.
- Ne placez pas l'appareil sur ou à proximité d'une cuisinière à gaz ou électrique, d'un gril ou dans un four. Il faut prendre d'extrêmes précautions en déplaçant un appareil contenant de l'huile chaude ou tout autre liquide chaud.
- Toujours commencer par fixer la fiche à l'appareil avant de brancher le cordon dans la prise murale. Avant de débrancher l'appareil, tournez tous les boutons de commande à la position Arrêt (« OFF »), puis retirez la fiche de la prise murale.
- N'utilisez pas l'appareil pour un autre usage que celui pour lequel il est destiné.
- N'utilisez aucun autre type de bois que les briquettes aromatisées Bradley Flavor Bisquettes®.
- Faites attention en soulevant et déplaçant le fumoir pour éviter foulures et blessures au dos.
- Faites attention lorsque vous déposez ou prenez des aliments dans le fumoir ou lorsque vous vous déplacez autour de celui-ci.
- Nous vous recommandons de placer un extincteur à portée de la main près du fumoir. Vérifiez auprès des autorités locales pour connaître la taille et le type d'extincteur requis.
- La rallonge doit être disposée de manière à ne pas reposer sur le comptoir ou sur la table lorsqu'elle peut être tirée ou trébuchée accidentellement par un enfant.
- Si l'emploi d'une rallonge est nécessaire, veillez à ce que ses caractéristiques techniques soient au moins équivalentes à celles de l'appareil. Le cordon doit être un cordon pour usage intensif et d'une longueur maximale de 1,85 m (6 pieds).

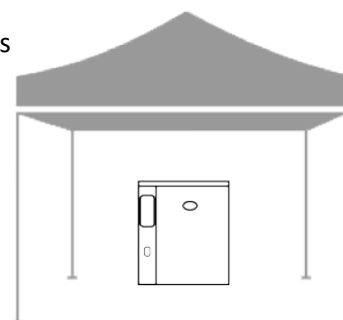
- Lorsque l'appareil est utilisé à l'extérieur, utilisez uniquement des rallonges électriques conçues pour l'extérieur dont la surface est marquée avec la lettre « W » et qui portent une étiquette portant la mention « Adapté à l'utilisation avec des appareils extérieurs ».
- ATTENTION : risque de choc électrique. Gardez tous les raccordements au sec et évitez de les poser par terre.
- Éliminez tous les emballages de manière appropriée.
- Soyez particulièrement prudent lors de l'assemblage, de l'utilisation, de la manipulation ou du nettoyage de votre fumoir, car certaines pièces peuvent présenter des bords coupants.

Lisez attentivement les instructions de montage sur la page 10 pour préparer le fumoir à l'emploi

UTILISER À L'EXTÉRIEUR SEULEMENT

Avertissement relatifs aux dangers liés au monoxyde de carbone

- L'utilisation ou la combustion de bisquettes aromatisées Bradley dans ce produit risque d'exposer l'utilisateur à des produits chimiques comme le monoxyde de carbone. L'utilisation du produit dans un endroit confiné ou sans ventilation augmentera le risque de graves problèmes de santé qui peuvent aller jusqu'à entraîner la mort.
- Cet appareil a le classement d'humidité IPX0. Pour éviter les décharges électriques, il doit d'être utilisé à l'extérieur seulement tout en étant à l'abri et à 10 pi (3 m), à l'écart de toute construction le surplombant, de tout mur ou rail.
- L'abri doit être bien ventilé et protégé de la pluie et du vent.
- Le fumoir doit être placé sur une surface horizontale ferme et incombustible, loin de toute autre matière combustible, comme les toits en porte-à-faux et les revêtements muraux.
- Des mesures doivent être prises pour éviter de toucher les éléments chauffants à l'intérieur du four.
- AVERTISSEMENT : l'appareil et ses pièces accessibles peuvent devenir chauds pendant l'utilisation.
- Les enfants de moins de 8 ans doivent être tenus à l'écart sauf sous surveillance continue.
- Le nettoyage et l'entretien ne doivent pas être effectués par des enfants sans surveillance.
- Nettoyeur à vapeur ou laveuse à pression ne doivent pas être utilisés.
- Ne pas brancher le fumoir avant qu'il ne soit complètement assemblé.



Suite à la page 5A

SUITE DES AVERTISSEMENTS DE SÉCURITÉ IMPORTANTES

- Une surveillance attentive est nécessaire lorsque l'appareil est utilisé par des enfants ou près de ceux-ci.
 - Faites preuve d'une prudence extrême lorsque vous retirez un plateau ou lorsque vous éliminez de la graisse chaude.
 - Ne pas nettoyer avec des tampons à récurer en métal. Les morceaux pourraient se détacher du tampon et entrer en contact avec des pièces électriques, créant ainsi un risque d'électrocution.
 - Les aliments de trop grande taille ou les ustensiles en métal ne doivent pas être insérés dans le fumoir puisqu'ils pourraient provoquer un incendie ou un risque d'électrocution.
 - Un incendie pourrait se produire si le fumoir est recouvert d'un matériau inflammable (rideaux, draperies, murs, etc.) lors du fonctionnement. Ne pas entreposer d'articles par-dessus l'appareil lors du fonctionnement.
 - Faites preuve de prudence extrême lorsque vous utilisez des contenants faits de matériaux autres que le métal ou la vitre.
 - Ne pas entreposer de matériaux, autres que les accessoires recommandés par les fabricants, dans le fumoir lorsqu'il n'est pas en fonctionnement.
 - Ne pas placer les matériaux suivants dans le fumoir : papier, carton, plastique, etc.
 - Ne pas recouvrir le plateau ou toute autre partie du fumoir avec des feuilles métalliques. Ceci entraînera la surchauffe du fumoir.
-
- Éteignez l'appareil en appuyant sur le commutateur à l'arrière. *Voir page 8*
-
- Ne pas utiliser l'appareil lorsque la prise ou le cordon est endommagé, après une défaillance de l'appareil ou lorsqu'il a été endommagé de quelque façon que ce soit.
 - Retournez l'appareil au centre de service autorisé le plus proche pour les examens, les réparations et les réglages.

Rallonge de câble d'alimentation

- Le cordon d'alimentation fourni est court afin de réduire les risques causés par l'emmêlement ou lorsque quelqu'un trébuche sur un cordon plus long.
- Des cordons d'alimentation plus longs sont disponibles et peuvent être utilisés si l'on fait preuve de prudence.
- En cas d'utilisation d'un câble de rallonge plus long :
- Le courant nominal indiqué sur le câble de rallonge devrait être au moins égal au courant nominal de l'appareil.
- Le cordon devrait être placé de telle façon à ce qu'il ne passe par-dessus un comptoir ou une table, afin d'éviter que des enfants ne puissent le tirer
- Ou trébucher dessus accidentellement.
- Le cordon ou la rallonge devrait être un cordon trifilaire avec mise à la terre.

Pendant l'utilisation

Ne pas laisser l'appareil sans surveillance.

- Ne pas couvrir ou sceller les supports ou la plaque d'égouttage avec un papier d'aluminium. Ceci peut causer de sérieux dommages au fumoir.
- Ne pas déplacer le fumoir lorsqu'il est utilisé.
- Ne pas excéder une température de 150 °C (300 °F).
- Toujours porter des gants de cuisine afin de protéger les mains contre les brûlures. Ne pas porter de vêtements amples ou laisser les cheveux pendre librement.
- Ne pas utiliser de boîte d'emballage pour couvrir le fumoir.
- Utiliser seulement des prises électriques approuvées avec mise à la terre.
- Ne laissez jamais d'eau de pluie ou de neige entrer en contact avec le fumeur.
- Afin d'éviter la fumée et le monoxyde de carbone, ne pas utiliser le produit à l'intérieur d'un endroit confiné. Opter plutôt pour un endroit bien aéré.
- Afin d'éviter les risques de décharge électrique, veuillez utiliser sous un abri ou un kiosque de jardin. Ne pas utiliser pendant un orage ou dans des conditions venteuses. Ne pas utiliser lorsqu'il pleut ou qu'il neige.
- Ne pas utiliser à proximité de l'essence ou d'autres liquides ou gaz inflammables ou là où des vapeurs inflammables peuvent être présentes.
- Ne pas immerger dans l'eau.

Videz et remplissez votre bol d'eau toutes les 2 à 3 heures

Videz la cuvette d'eau environ toutes les deux à trois heures lorsque les bisquettes brûlent et remplissez-la à nouveau d'eau douce.

Après chaque utilisation

- Débranchez le fumoir lorsqu'il n'est pas utilisé. Voir la section « Procédures d'entretien » à la page 6.
- Placez les Bisquettes aromatisées Bradley® éteintes à une distance de sécurité de toute structure et de tout matériau combustible.
- Rangez le fumoir hors de la portée des enfants, dans un lieu couvert et sec.
- Enlevez et nettoyez toute trace de graisse. Toute accumulation de graisse peut causer un incendie.
- Ne nettoyez pas cet appareil à la vapeur et ne le lavez pas à la pression.
- N'utilisez que les sondes de température fournies avec ce four.

Entretien général

Consultez les diagrammes accompagnant les listes des pièces externes et internes qui figurent sur les pages 8 à 10

Importantes mesures de sécurité

- Précautions d'emploi lors de la maintenance par l'utilisateur
- Il faut impérativement nettoyer et entretenir le fumoir Bradley après chaque utilisation.
- Débranchez le cordon d'alimentation long avant de commencer le nettoyage ou l'entretien.
- N'immergez pas le fumoir dans l'eau.
- Ne vaporisez pas l'intérieur du fumoir avec un quelconque produit de nettoyage pour appareils ménagers
- Ne couvrez pas ou ne scellez pas les grilles ou le plateau d'égouttage avec du papier d'aluminium. Cela peut endommager gravement votre fumoir.
- Ne laissez pas l'appareil sans surveillance pendant qu'il fonctionne.
- Ne pas vaporiser ni nettoyer le fumoir avec de trop grandes quantités d'eau. Il est préférable d'utiliser un chiffon humide.

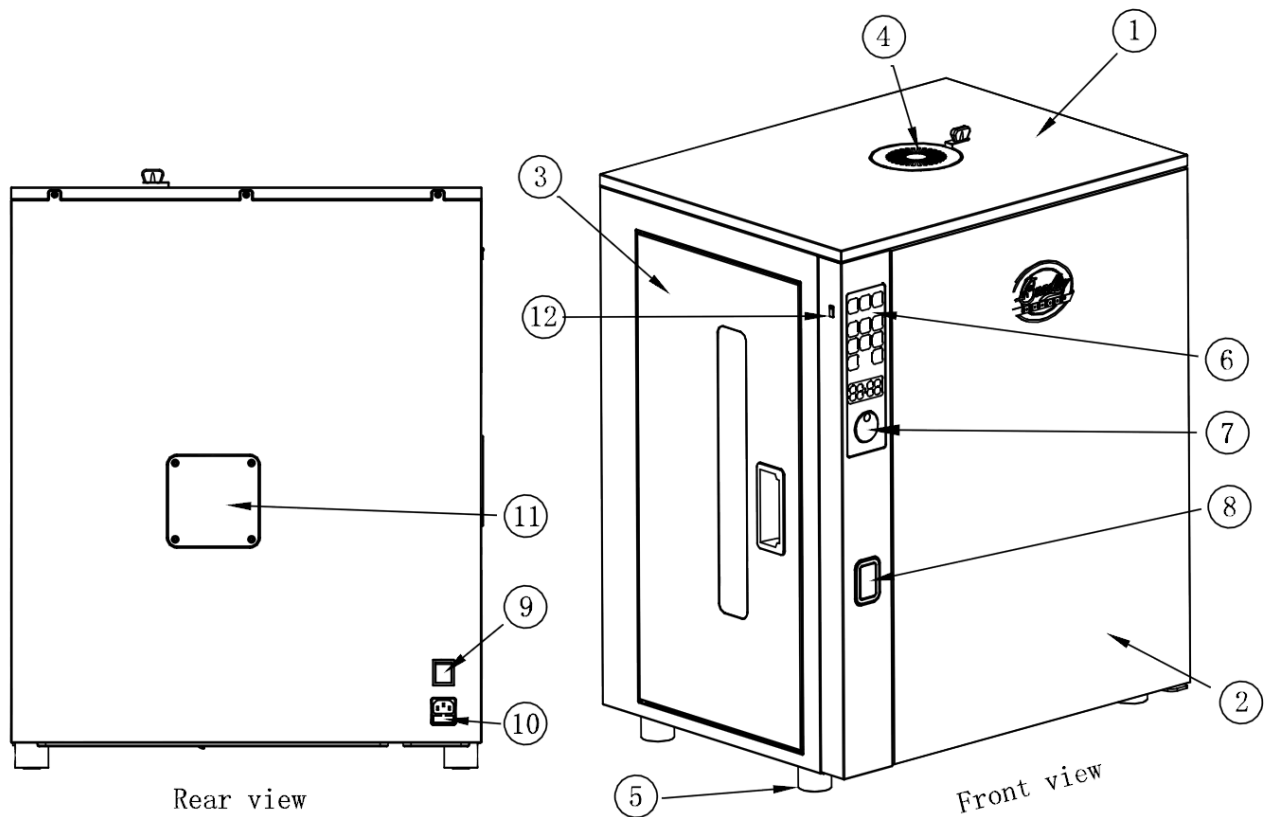
Procédures d'entretien

- Débranchez le cordon d'alimentation de la prise de courant murale avant de retirer le générateur de fumée du fumoir.
- Faites attention lorsque vous manipulez ou nettoyez votre fumoir, car certaines des arêtes des pièces de métal peuvent être acérées.
- Nettoyez la cuvette d'égouttage. Débarrassez-vous avec précautions des bisquettes consommées, car elles peuvent être encore chaudes.
- Lavez le plateau d'égouttage, les grilles, la plaque de fond rectangulaire et la cuvette d'égouttage à l'eau chaude avec du détergent à vaisselle ou mettez-les au lave-vaisselle.
- Retirez les particules d'aliments et les résidus de graisse du fumoir. Si l'intérieur doit être nettoyé, essuyez-le avec un chiffon humide.
Remarque : Il est normal de trouver des résidus de fumée noirs à l'intérieur de l'armoire du fumoir. Plus il y aura de résidus de fumée, plus les aliments auront bon goût.
- Le générateur de fumée doit être propre et exempt de copeaux de bois et de graisse en tout temps. Lorsque des copeaux de bois s'accumulent dans le générateur de fumée, soufflez-les ou aspirez-les pour les retirer. Reportez-vous vers la section « Réparations rapides » dans la page 25 pour apprendre davantage sur comment retirer le générateur de fumée.
- Grattez légèrement le brûleur à bisquettes au moyen d'une brosse d'acier ou d'un grattoir, pour enlever les résidus qui s'y sont déposés à la suite du processus de brûlage.
- Nettoyez le registre de tirage (sur le dessus du fumoir) pour vous assurer qu'il demeure mobile.
- Essuyez le joint d'étanchéité de la porte avec de l'eau chaude et du détergent à vaisselle pour en retirer tout résidu ou particule de nourriture.
- Essuyez les sondes à viande avec une serviette chaude et humide pour enlever les résidus et les particules de nourriture.

Remarque : les sondes à viande ne doivent pas être mises dans le lave-vaisselle

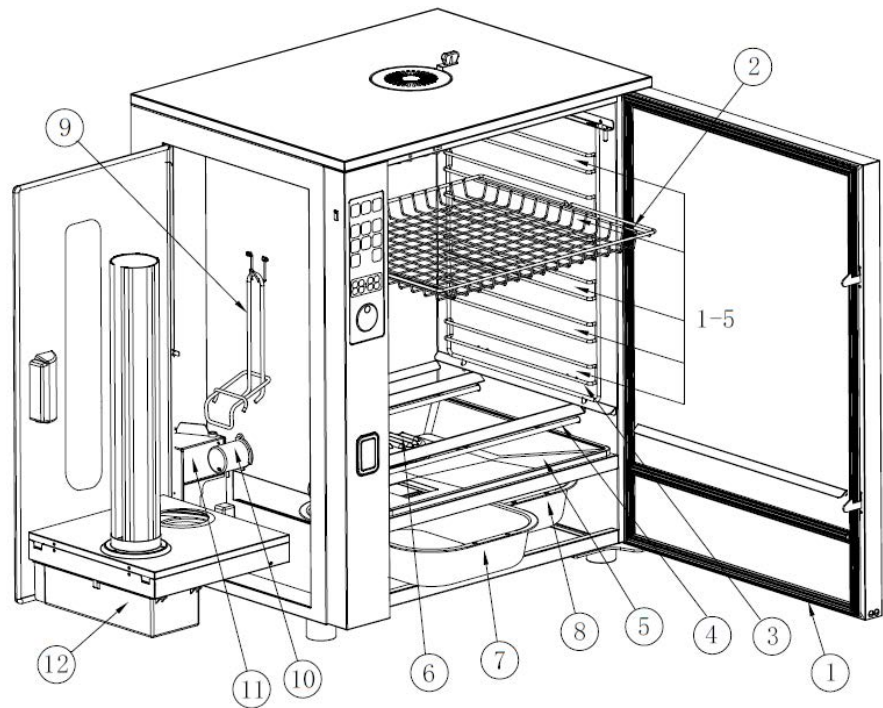
Après le nettoyage

- Remettez les grilles, le plateau d'égouttage, la plaque de fond rectangulaire et la cuvette d'égouttage dans le fumoir après vous être assuré que toutes les pièces sont propres et sèches.
- Remplacez le générateur de fumée dans l'armoire du fumoir
- Assurez-vous que le cordon d'alimentation long est bien débranché.



Liste des pièces externes

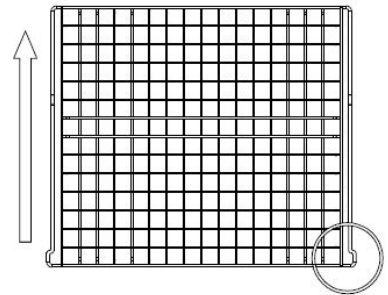
1. Armoire du fumoir
2. Porte principale
3. Porte de générateur de fumée (de côté)
4. Registre
5. Pied
6. Affichage numérique
7. Bouton rotatif
8. Bouton poussoir ouvre-porte
9. Bouton de marche/arrêt
10. Prise de courant
11. Couvercle de remplacement pour sonde
12. Port USB



*Remarque : Direction du plateau et butoir

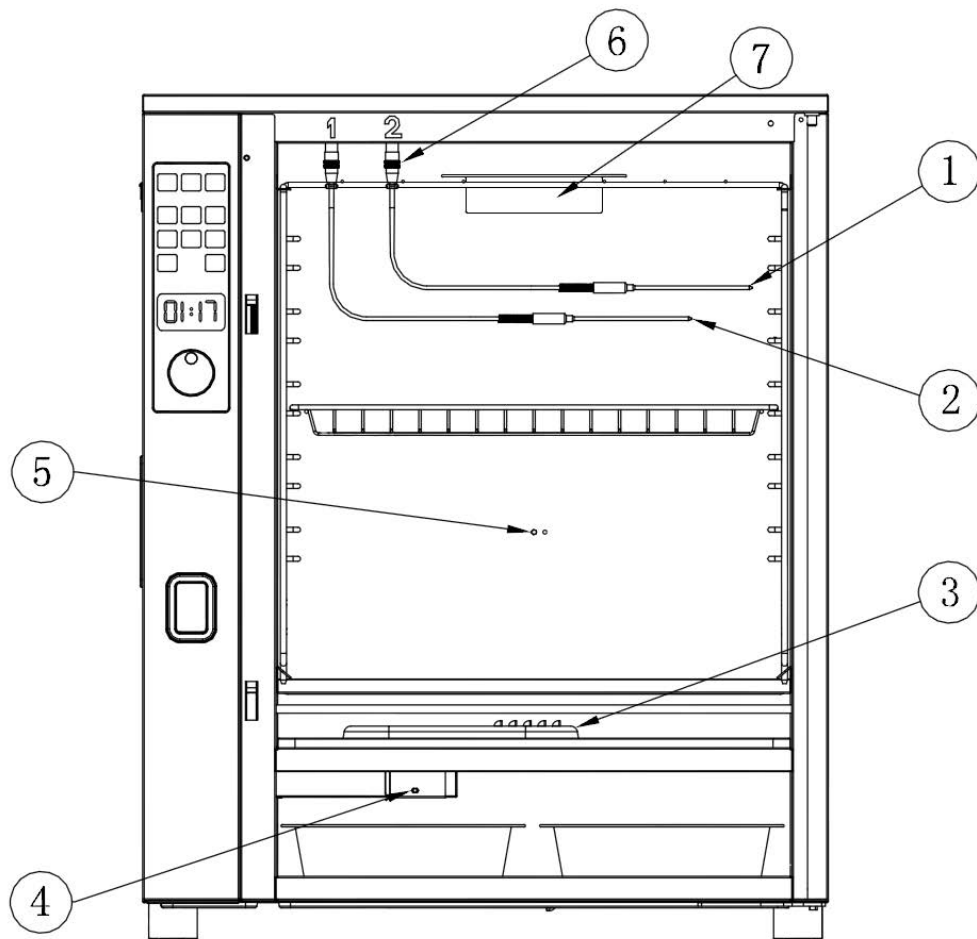
**Remarque : lorsque vous utilisez la grille, placez-la dans une position adéquate, comme illustré dans la figure : plateau 1-5.

Si la grille n'est pas adéquatement placée, elle n'est pour pas procurer de protection fixe.



Liste des pièces internes

1. Joint de porte
2. Grilles de cuisson (4 grilles incluses)
3. Étagères pour grilles
4. Élément chauffant
5. Plateau ramasse-gouttes
6. Générateur de fumée
7. Cuvette d'égouttage
8. Plaque de fond rectangulaire
9. Crochet de levage
10. Protecteur d'élément chauffant
11. Couvercle amovible du faisceau de câbles
12. Distributeur de bisquettes



Liste des pièces internes (Suite)

1. Sonde à viande 1
2. Sonde à viande 2
3. Diffuseur de fumée
4. Vis d'attache du distributeur de bisquettes
5. Sonde de température interne
6. Connecteur du câble de la sonde à viande
7. Bol de condensation avec grille

Instructions pour le montage

Comment assembler le fumoir Professionnel Bradley BS1019 (CE-EU) avec 5 grilles

Sortez le fumoir de son emballage.

Sortez toutes les pièces emballées du fumoir.

Enlevez tout emballage protecteur des pièces de l'appareil.

Posez le fumoir sur une base solide, sur un support ou sur une table.

Ouvrez la porte de l'armoire et enlevez tous les emballages de protection qui s'y trouvent.

Détachez le plastique qui maintient les grilles des étagères des grilles.

Enlevez toutes les grilles, le registre de tirage, le couvercle antifumée, la cuvette d'égouttage et le bol récepteur pour nettoyer l'armoire des résidus de plastique qui y restent.

Réinstallez toutes les pièces quand le plastique et l'emballage ont été enlevés et que le l'armoire a été nettoyée des débris.

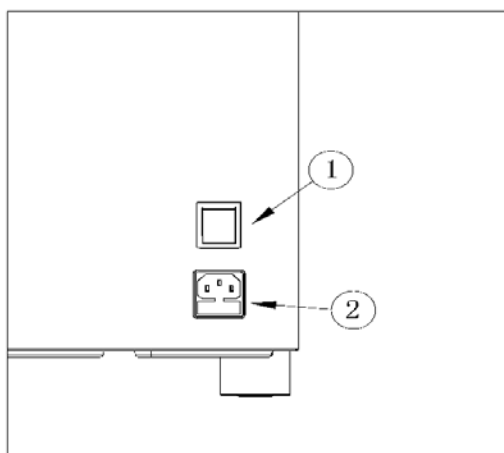
Manipulation de l'emballage :

Tous les emballages doivent être jetés conformément à la réglementation dans votre région.

La boîte ne peut être utilisée que pour ranger le fumoir lorsqu'il n'est pas utilisé. La boîte ne doit pas être utilisée comme couvercle lorsque le fumoir est en cours d'utilisation.

Configuration des raccordements électriques dans cet ordre

1. Branchez le câble d'alimentation fourni à l'arrière du fumoir (2).
2. Branchez l'autre extrémité du cordon d'alimentation dans la prise de courant murale.
3. Mettez l'interrupteur principal (1) sous tension.



AVERTISSEMENT

AFIN D'ASSURER UNE PROTECTION CONTINUE CONTRE LES RISQUES DE CHOC ÉLECTRIQUE, NE BRANCHEZ CET APPAREIL QU'À UNE PRISE CORRECTEMENT MISE À LA TERRE.

AVERTISSEMENT

DÉBRANCHER L'APPAREIL DE LA PRISE D'ALIMENTATION AVANT DE LE NETTOYER OU DE L'ENTREtenir
NE PAS IMMERGER / NE PAS EXPOSER À LA PLUIE

Cet appareil est conforme aux CNR d'Industrie Canada applicables aux appareils radio exempts de licence. Son exploitation est autorisée aux deux conditions suivantes :

(1) L'appareil ne doit pas produire de brouillage; et (2) l'appareil doit accepter tout brouillage radioélectrique subi, même si le brouillage est susceptible d'en perturber le fonctionnement.

Réglage du fumoir pour la première fois pour l'assaisonnement

L'assaisonnement du fumoir Bradley Smoker® est un processus continu ; plus le fumoir est utilisé meilleur sera le goût des aliments.

L'assaisonnement consiste principalement à éliminer les odeurs de votre fumoir neuf.

L'odeur de neuf n'est absolument pas l'odeur que vous souhaitez retrouver dans vos aliments !

Méthode d'assaisonnement :

Nettoyez les grilles, le bac récepteur, le bol récepteur et la plaque rectangulaire et placez-les dans le fumoir.

Remplissez le bol récepteur avec de l'eau. Ne pas dépasser le niveau de remplissage marqué.

Branchez le câble d'alimentation à l'arrière du fumoir. Branchez l'autre extrémité du cordon d'alimentation dans la prise prévue à cet effet. Le temps d'assaisonnement recommandé est de 2 heures ou jusqu'à ce que les six bisquettes soient consommées. Votre fumoir sera assaisonné et prêt à l'emploi lorsqu'il a atteint 66 °C (150 °F) et que le fumage a duré 2 heures.

Allumez l'interrupteur d'alimentation principal situé dans le coin inférieur droit à l'arrière du fumoir.

Reportez-vous à la section Guide d'affichage des fonctions à la page 15.

Sur l'écran principal, configurez le temps de fumage ou de cuisson ainsi que la température.

Lorsque l'assaisonnement est terminé, jetez les bisquettes brûlées. Vous êtes maintenant prêt à utiliser votre fumoir.

**Remarque : chaque bisquette brûle pendant 20 minutes.*

Ouvrez le registre situé sur le dessus de l'armoire du fumoir.

Directives pour le fonctionnement

Mise en route

Après avoir assaisonné le fumoir, vides et remplissez le bol récepteur avec de l'eau.

Placez les aliments sur les grilles et disposez-les dans le fumoir.

Réglez l'ouverture de l'étuve sur la position souhaitée. Ne la fermez pas complètement quand un fumage est en cours.

Allumez le fumoir en appuyant sur l'interrupteur d'alimentation.

Choisissez la température et le temps de cuisson désirés.

(Reportez-vous à la section Fonctions d'affichage aux pages 15 à 19)

Remarque : Pour obtenir plus précisément la température des aliments en cours de fumage, utilisez un thermomètre de cuisson pour la viande.

N'oubliez pas que la température ambiante affecte la température interne du fumoir.

« N'oubliez pas de nettoyer le fumoir après chaque utilisation »

Fumage à froid :

- Utilisez l'option de fumage uniquement.
- Ouvrez l'étuve au maximum.
- Si la température ambiante est trop élevée, utilisez de la glace pour maintenir la température autour de 32 °C (90 °F).

Pour éviter l'égouttement de la glace, placez les glaçons dans un contenant en plastique ou un sac Ziploc et placez-les sur la grille inférieure. Remplissez à nouveau avec de la glace une fois les glaçons ont fondu.

NE PLACEZ JAMAIS LA GLACE EN VRAC SUR LES GRILLES

NE JAMAIS COUVRIR COMPLÈTEMENT LA GRILLE AVEC DE LA GLACE, CECI LIMITERA LE FLUX DE LA FUMÉE.

Utilisation optimale de votre fumoir Bradley

Les fumoirs Bradley sont conçus pour cuire lentement à basse température. Prenez votre temps et planifiez vos repas en fonction de cette caractéristique. Grâce à cette méthode, vous obtiendrez le meilleur goût et le meilleur arôme possible

Ne surchargez pas les grilles – laissez toujours suffisamment d'espace entre les aliments pour assurer la circulation constante de l'air, sinon la fumée sera emprisonnée et ne pourra pas circuler librement dans la totalité de l'armoire de fumage.

Pour cuire ou fumer les aliments de manière uniforme, nous vous recommandons d'effectuer une rotation des grilles, de haut en bas et d'avant en arrière.

Les durées et les températures de fumage varient selon les conditions suivantes :

- Température de l'air ambiant;
- Quantité d'aliments dans le fumoir;
- Température interne des aliments que vous fumez;
- Les températures affichées sont à titre de référence uniquement.

Ne fermez JAMAIS complètement l'évent de votre fumoir.

Videz et remplissez votre bol d'eau toutes les 2 à 3 heures.

Lorsque vous cuisez ou fumez des aliments contenant beaucoup de graisse, veillez à placer l'assiette à tarte ou la cuvette directement sous les aliments pour recueillir le plus de gras fondu possible. Cela contribuera au maintien de la propreté de votre fumoir Bradley et en prolongera le cycle de vie, tout en prévenant l'éventualité d'un incendie de graisse. Ne laissez pas la nourriture toucher le mur du fumeur.

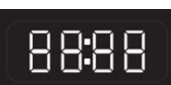
Assurez-vous que votre fumoir est toujours propre pour en augmenter la durée de vie.

*Remarque : Les sondes à viande ne vont PAS au lave-vaisselle.
N'immergez pas les câbles dans l'eau ni dans aucun autre liquide,
car cela les endommagera de manière permanente.*

Guide d'affichage des fonctions



-  MARCHE / ARRÊT (ON / OFF) LUMINEUX
-  VERROUILLAGE DE SÉCURITÉ LUMINEUX
-  CHAUFFAGE DE L'ARMOIRE LUMINEUX
-  RÉGLAGE DE LA TEMPÉRATURE RÉGLAGE
-  DE LA MINUTERIE DU FOUR RÉGLAGE DE LA
-  MINUTERIE DU FUMOIR AVANCE DES
-  BISQUETTES
-  SONDE À VIANDE 1
-  SONDE À VIANDE 2
-  RECETTE PERSONNALISÉE TEMPÉRATURE °
-  F / °C



AFFICHAGE À QUATRE CHIFFRES

**Remarque : Lorsque les icônes sont grisées, cela signifie qu'elles sont désactivées.*



BOUTON ROTATIF DE CHOIX ET DE COMPOSITION

Fonctions d'affichage expliquées



BOUTON ROTATIF DE CHOIX ET DE COMPOSITION

Sélectionnez la fonction sur l'écran que vous voulez régler

Tournez le bouton rotatif dans le sens des aiguilles d'une montre pour augmenter les paramètres de l'affichage à 4 chiffres

Tournez le cadran rotatif dans le sens inverse des aiguilles d'une montre pour diminuer les paramètres de l'affichage à 4 chiffres.

En appuyant sur le bouton rotatif, la sélection sera validée.



MARCHE / ARRÊT (ON / OFF) LUMINEUX

Lorsque l'appareil est mis sous tension, un bip sonore est émis, le voyant d'alimentation devient rouge et le voyant du bouton rotatif devient bleu.

Après un délai de 5 secondes, l'afficheur indique la température interne de l'armoire et le distributeur de bisquettes avance une bisquette.

**Remarque : l'affichage indique « OPEN » (ouvert) lorsque la porte est ouverte.*



VERROUILLAGE DE SÉCURITÉ LUMINEUX

Le verrouillage de sécurité sera activé si aucune activité à l'écran n'a lieu dans la 5 minute qui suit.

Lorsque le verrouillage de sécurité est activé, tous les ajustements seront désactivés.

Pour désactiver le dispositif de verrouillage de sécurité, appuyez sur le bouton rotatif pendant 3 secondes, l'alarme retentit une fois et le témoin lumineux s'éteint.

Pour activer le dispositif de verrouillage de sécurité, appuyez sur le bouton rotatif pendant 3 secondes, l'alarme retentit une fois et le témoin lumineux s'allume.



RÉGLAGE DE LA TEMPÉRATURE

En appuyant sur cet indicateur, le voyant lumineux clignote en bleu et l'afficheur à 4 chiffres indique la température actuelle de l'armoire.

Tournez le bouton rotatif jusqu'à ce que l'affichage à 4 chiffres indique la température cible souhaitée. Appuyez sur le bouton rotatif pour valider le réglage.

**Remarque : Le réglage sera annulé si aucune validation n'est effectuée dans 5 secondes.*

**Remarque : Après avoir choisi la température désirée, le temps de cuisson doit être sélectionné. Si la sélection n'a pas été effectuée dans les 60 secondes, la sélection de température sera annulée et le témoin lumineux s'éteindra.*

** Remarque : LES INDICATEURS DE LA RANGÉE SUPÉRIEURE 3 NE SONT PAS DES BOUTONS, CE SONT DES INDICATEURS UNIQUEMENT*

**Remarque : LES TOUCHES TACTILES NÉCESSITENT UNE SEULE TOUCHE LÉGÈRE. ILS NE SONT PAS DES BOUTONS POUSSOIRS*



RÉGLAGE DE LA MINUTERIE DU FOUR

En appuyant sur cet indicateur, le voyant lumineux clignote en bleu et l'affichage à 4 chiffres indique l'heure de début qui clignote en affichant 00:00.

Tournez le bouton rotatif jusqu'à ce que l'affichage à 4 chiffres indique le temps cible désiré. Appuyez sur le bouton rotatif pour valider le réglage. Le compte à rebours commence.

**Remarque : Le réglage sera annulé si aucune validation n'est effectuée dans les 5 secondes.*


Après avoir sélectionné la température de l'armoire, les éléments chauffants s'allument et les




témoins suivants s'allument :   

**Remarque : pour afficher le temps de cuisson restant, appuyez sur l'indicateur de réglage de la minuterie du four.*

**Remarque : lorsque le compteur de temps de cuisson revient à 00:00, les éléments chauffants s'éteignent et l'alarme retentit pendant 1 minute.*

Pour annuler l'alarme, appuyez sur le bouton rotatif

**Remarque : pour annuler le temps de cuisson à tout moment, appuyez et maintenez le voyant  pendant 3 secondes.*

Les éléments chauffants ainsi que les voyants s'éteignent.   



RÉGLAGE DE LA MINUTERIE DU FUMOIR

CHARGEZ VOS BISQUETTES UNIQUEMENT APRÈS CETTE ÉTAPE.

En appuyant sur cet indicateur, le voyant lumineux clignote en bleu et l'affichage à 4 chiffres indique l'heure de début qui clignote en affichant 00:20.

**Remarque : la minuterie affichera la température interne de l'armoire si aucune validation n'est effectuée dans les 5 secondes.*

Tournez le bouton rotatif par incréments de 20 minutes jusqu'à ce que l'affichage à 4 chiffres indique le temps cible désiré.

Appuyez sur le bouton rotatif pour valider le réglage.

**Remarque : lorsque le brûleur à bisquettes chauffe jusqu'à sa température de fonctionnement (non réglable), le distributeur de bisquettes fait un demi-tour pour livrer la bisquette. Le compte à rebours commence.*

**Remarque : pour afficher le temps de fumage restant, appuyez sur l'indicateur d'ajustement du temps de fumage.*

**Remarque : chaque bisquette brûle 20 minutes (non réglable)*

**Remarque : la reprogrammation du temps de fumage aura un effet après l'écoulement des 20 minutes.*

Ceci élimine la bisquette non brûlée.

**Remarque : quand le compteur de temps de fumage revient à 00 : 00, l'alarme retentit pendant 1 minute.*

Pour supprimer l'alarme, appuyez sur le bouton rotatif

**Remarque : une minute avant la fin de temps de fumage, le brûleur de bisquettes s'éteindra automatiquement pour éviter que la bisquette ne brûle plus qu'il n'en faut.*



AVANCE DES BISQUETTES

Afin d'avancer manuellement la bisquette, appuyez sur l'indicateur, le voyant lumineux clignotera en bleu et la plaque tournante fera un demi-tour. Retirer la bisquette neuve et se débarrasser de la bisquette consommée ont lieu en même temps. L'affichage numérique indique « FEEd » pendant l'avancement de la bisquette. Une fois la bisquette avancée, l'afficheur numérique indique « dONE ».

Une fois le demi-tour achevé, la plaque tournante s'inverse légèrement et la température interne de l'armoire s'affiche à nouveau.

Remarque: Ce bouton est principalement conçu pour vider le système à la fin de la session de fumée.

Remarque : le bol d'eau doit être vidé régulièrement toutes les 2 à 3 heures. Sinon, les bisquettes brûlées risquent de provoquer un blocage.



SONDES À VIANDE 1 ET 2

En appuyant sur cet indicateur, le voyant lumineux clignote en bleu et l'affichage à 4 chiffres indique la température actuelle de la sonde.

**Remarque : si aucune validation ne se produit dans les 5 secondes, l'affichage à 4 chiffres revient à la température interne de l'armoire.*

Tournez le bouton rotatif jusqu'à ce que l'affichage à 4 chiffres indique la température cible souhaitée. Appuyez sur le bouton rotatif pour valider le réglage.

**Remarque : le réglage sera annulé si aucune validation n'est effectuée dans 5 secondes.*

Lorsque la sonde à viande atteint le réglage désiré, le voyant lumineux clignote en bleu et l'alarme retentit pendant 1 minute. Pour annuler l'alarme, appuyez sur le bouton rotatif.

Pour annuler le opération de la sonde à viande, appuyez sur le bouton indicateur et maintenez-le enfoncé pendant 3 secondes.



TEMPERATURE F / C

En appuyant sur cet indicateur, le voyant lumineux clignote en bleu et l'affichage à 4 chiffres indique la température actuelle en °F ou °C. Appuyer une fois sur l'indicateur changera l'unité.

**Remarque : la conversion de °F en °C est calculée comme suit : (°C) = (Fahrenheit (°F)-32)÷1,8*



RECETTE PERSONNALISÉE

**Remarque : vos recettes personnalisées doivent être créées dans l'application Bradley Custom Recipe Menu et téléchargées sur une clé USB.*

**Remarque : ne pas éteindre le fumoir pendant la mise à jour. Une fois la mise à jour terminée, le fumoir redémarre automatiquement.*

Copiez le fichier de recette au format.txt dans la racine d'une clé USB vide.
Insérez la clé avec le programme copié dans le port USB. *Voir page 20*

Maintenez cet indicateur enfoncé pendant 5 secondes, l'alarme retentit.
Le fumoir se connectera à la clé USB et l'écran numérique affichera EEEE.

Une fois terminé, l'affichage numérique ne montrera pas EEEE, retirez la clé USB, insérez le couvercle de protection dans le port USB et appuyez à nouveau sur l'indicateur de recette personnalisée.

Le voyant lumineux clignote en bleu et l'affichage à 4 chiffres affiche le code de menu 01 clignotant.
Tournez le bouton rotatif jusqu'à ce que l'affichage à 4 chiffres affiche le code de menu souhaité de 01 à 50

Appuyez sur le bouton rotatif pour confirmer le réglage. Après avoir confirmé la sélection, le fumoir exécutera le programme téléchargé à partir de l'USB.



Pour annuler le fonctionnement du menu de recette, appuyez sur le bouton, tournez le bouton rotatif pour choisir le code de menu «0» et appuyez sur le bouton rotatif pour confirmer le réglage annulant le fonctionnement du menu.

**Remarque : lorsque le nouveau fichier de recette a été créé et copié dans le fumoir, toutes les versions précédentes de la recette seront effacées.*

Vous pouvez créer un total de 50 menus de recettes avec 25 séquences de cuisson et de fumage dans chaque recette. Pour télécharger l'application Bradley Custom Recipe Menu, veuillez vous rendre sur :
<https://www.bradleysmoker.com/bs1019-custom-recipes>

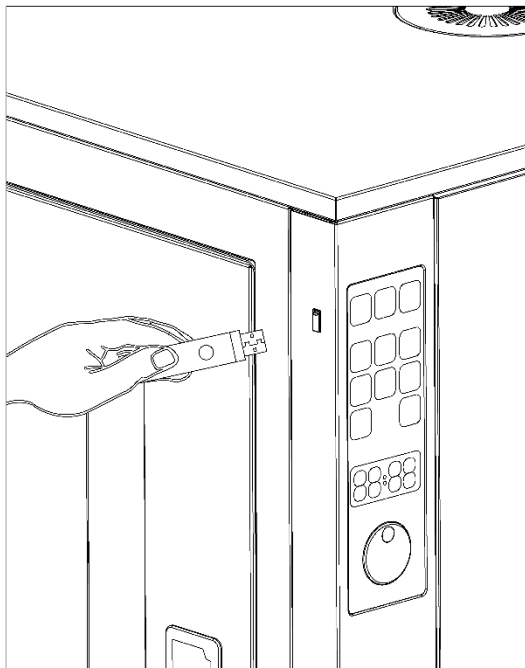
Le port USB de l'appareil est conçu pour télécharger des recettes et pour mettre à jour uniquement le logiciel du fumoir.

NE CONNECTEZ PAS LES PORTS USB DES ORDINATEURS ET L'ALIMENTATION EN ÉNERGIE À D'AUTRES APPAREILS.

Cela peut causer une surcharge ou un dysfonctionnement de ce produit.

MISE À JOUR DU FIRMWARE

Aller à l'adresse <https://www.bradleysmoker.com/product/2019-digital-5-rack-smoker/> (Faites défiler jusqu'à l'onglet Firmware) et téléchargez la dernière mise à jour du firmware et sauvegardez-la sur une clé USB.



Veillez suivre ces étapes :

1. Assurez-vous que le fumeur est allumé
 2. Insérez la clé USB contenant le fichier .bin téléchargé.
 3. Appuyez sur le bouton de recette et maintenez-le enfoncé pendant 3 secondes, la sonnerie retentit et le fumeur lira le lecteur flash.
 4. Pendant ce processus de mise à jour, l'écran affichera EEEE.
 5. Lorsque la mise à jour est terminée, le fumeur redémarrera automatiquement.
 6. Après le redémarrage du fumeur, vous pouvez retirer le lecteur flash.
 7. Insérez le couvercle de protection dans la fente USB.
 8. Pour vérifier la version du logiciel ou confirmer qu'il a été installé, éteignez le fumeur.
 9. Appuyez sur le bouton rotatif et maintenez-le enfoncé, tout en allumant l'interrupteur d'alimentation principal à l'arrière.
 10. L'écran affichera la version actuelle du logiciel.
- Toutes les opérations sont désactivées pendant cette période.
11. Pour redémarrer normalement le fumeur, éteignez le fumeur pendant 3 secondes, puis rallumez-le.

**Remarque : n'éteignez pas le fumeur pendant la mise à jour. La version du logiciel s'affiche chaque fois que le fumeur est allumé.*

Le port USB de l'appareil est conçu pour télécharger des recettes et pour mettre à jour uniquement le logiciel du fumeur.

NE CONNECTEZ PAS LES PORTS USB DES ORDINATEURS ET L'ALIMENTATION EN ÉNERGIE À D'AUTRES APPAREILS.

Cela peut causer une surcharge ou un dysfonctionnement de ce produit.

AVANT DE NOUS CONTACTER

Avant de contacter le service à la clientèle, veuillez visiter la page Support de Bradley à l'adresse suivante : <https://www.bradleymoker.com/product/2019-digital-5-rack-smoker/> (faites défiler jusqu'à l'onglet support).

Lisez ce manuel pour obtenir des informations à propos de dépannage. Consultez la page « Garantie » pour plus d'informations.

Pour communiquer avec un représentant du service après-vente, prière de vous munir de la référence du modèle et du numéro de série avant d'appeler. Le modèle et le numéro de série se trouvent sur l'emballage, au début du manuel ou à l'arrière du fumoir.

Nous sommes conscients de l'importance de l'investissement que vous avez fait et nous nous engageons à vous aider, vous et votre fumoir, afin que vous puissiez jouir de nombreuses années de plaisir à cuisiner et fumer vos aliments préférés.









N'hésitez pas à communiquer avec notre Service à la clientèle si vous avez des questions ou dans l'hypothèse peu probable où votre fumoir Bradley aurait besoin de prestation de service. Nous sommes prêts à vous aider.

Veuillez conserver votre facture pour la confirmation de la garantie au cas où une prestation de service est nécessaire.

Pour la garantie et le service à la clientèle, veuillez appeler : 1 866-508-7514 (numéro vert)

DÉPANNAGE

CODES D'ERREURS Pour mieux vous aider à résoudre les problèmes, votre four dispose d'un système de messagerie intégré qui affiche la cause probable des codes d'erreur.

Codes d'erreur	Signification de l'erreur	Solution principale
	DÉFAILLANCE D'UN ÉLÉMENT CHAUFFANT	Lorsque la montée de température de l'armoire est inférieure à 8 degrés pendant 5 minutes et que la température intérieure est inférieure à 80 % de la valeur de point de consigne, le code d'erreur est affiché accompagné d'une alarme sonore. Le témoin de chauffage  clignote. Appuyez sur le bouton rotatif pour arrêter l'alarme. Pour remplacer l'élément chauffant défectueux, veuillez visiter la page 24.
	DÉFAILLANCE DU BRÛLEUR DE BISQUETTES	Si la température du brûleur est inférieure à 100 degrés et a augmenté de moins de 3 degrés en moins d'une minute, le code d'erreur sera affiché accompagné d'une alarme sonore. L'indicateur de temps de fumage  clignote. Appuyez sur le bouton rotatif pour arrêter l'alarme. Pour remplacer l'élément chauffant défectueux, veuillez consulter la page 25-26.
	BISQUETTE COINCÉE, VEUILLEZ VÉRIFIER VOTRE FUMOIR	Lorsque la rotation de la plaque tournante n'a pas été détectée en 1 minute, la plaque tournante changera de sens pendant 10 secondes et avancera à nouveau. Après 3 tentatives successives, le code d'erreur s'affiche accompagné d'une alarme sonore. Appuyez sur le bouton rotatif pour arrêter l'alarme. Libérez la bisquette coincée.
	LE FOUR EST TROP CHAUD ! VEUILLEZ LE VÉRIFIER	Dans le cas peu probable où la température interne de l'armoire dépasserait 180 °C / 356 °F, l'indicateur de chauffage  et les éléments chauffants seront éteints et le code d'erreur sera affiché accompagné d'une alarme sonore. L'alarme ne peut s'arrêter que lorsque la température baisse en dessous de 170 °C / 338 °F en appuyant sur le bouton rotatif.
	DÉFAILLANCE DE LA SONDE DE TEMPÉRATURE DE L'ARMOIRE	Lorsque le four détecte la défaillance au niveau de la sonde ou perd la connexion avec celle-ci, le code d'erreur s'affiche accompagné d'une alarme sonore. Appuyez sur le bouton rotatif pour arrêter l'alarme. Vérifiez la sonde et ses connexions. Pour remplacer la sonde veuillez consulter la page 27

	<p>DÉFAILLANCE DE LA SONDE DE TEMPÉRATURE DU BRÛLEUR DE BISQUETTES</p>	<p>Lorsque le fumoir détecte la défaillance de la sonde ou perd la connexion avec celle-ci, le code d'erreur s'affiche accompagné d'une alarme sonore. Appuyez sur le bouton rotatif pour arrêter l'alarme. Vérifiez la sonde et ses connexions. Pour remplacer la sonde, veuillez consulter la page 25-26</p>
 	<p>SONDE À VIANDE 1 / 2 NON CONNECTÉE</p>	<p>Lorsque le fumoir détecte la défaillance de la sonde ou perd la connexion avec celle-ci pendant le processus de fumage, le code d'erreur s'affiche accompagné d'une alarme sonore. Appuyez sur le bouton rotatif pour annuler l'alarme. Vérifiez la sonde et ses connexions <i>*Remarque : si la sonde n'est pas connectée avant le démarrage du processus de fumage, aucune alarme ne s'affiche.</i></p>
	<p>LA SONDE À VIANDE 1 N'EST PAS CONNECTÉE CORRECTEMENT</p>	<p>Lorsque le système détecte la résistance partielle de la sonde, le message s'affiche. Débranchez et rebranchez la sonde correctement.</p>
	<p>LA SONDE À VIANDE 2 N'EST PAS CONNECTÉE CORRECTEMENT</p>	<p>Lorsque le système détecte la résistance partielle de la sonde, le message s'affiche. Débranchez et rebranchez la sonde correctement.</p>
	<p>TOUTES LES COMMANDES ONT ÉTÉ DÉSACTIVÉES. VEUILLEZ FERMER LA PORTE AVANT DE CONTINUER L'OPÉRATION</p>	<p>Lorsque la porte de l'armoire s'ouvre, le message s'affiche. L'armoire continue de fonctionner comme programmé mais toutes les commandes seront désactivées. Après la fermeture de la porte, toutes les fonctions sont à nouveau disponibles et la température interne de l'armoire s'affiche.</p>

Lorsque la nourriture a atteint le point de consigne ou que la minuterie s'est écoulée, l'affichage indique ce qui suit :

Message sur l'écran	Actions sur le fumoir
Clignotement de l'indicateur de la sonde de température des aliments 1	Bip sonore seulement
Clignotement de l'indicateur de la sonde de température des aliments 2	Bip sonore seulement
L'indicateur de temps clignote	Bip sonore et tous les appareils de chauffage s'éteignent

RÉPARATIONS RAPIDES

Seul un technicien agréé peut effectuer des réparations électriques sur cet appareil.

Bradley Technologies Canada Inc. ne sera en aucun cas responsable pour tout mauvais fonctionnement ou dommage causé par des réparations électriques inadéquates.

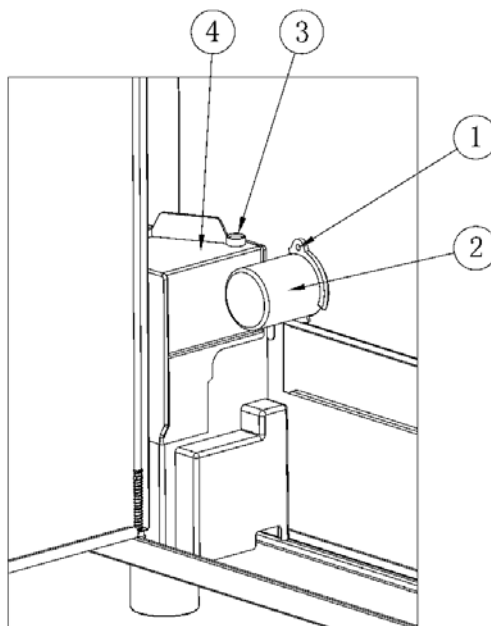
Remplacement de l'élément chauffant principal



Cette erreur se produit lorsque l'un des éléments ou les deux ne fournissent pas de chaleur à l'armoire. Le système d'exploitation compare le point de consigne cible à la température réelle. Si la température est inférieure de 8 degrés à la température cible, l'alarme s'affiche et l'alarme sonore retentit.

Pour remplacer l'élément chauffant, procédez comme suit :

1. Mettez l'interrupteur d'alimentation hors tension. Voir l'emplacement de l'interrupteur (9) à la page 8.
2. Débranchez le câble d'alimentation de la prise électrique.
3. Assurez-vous de disposer de suffisamment de temps pour refroidir le fumoir après utilisation.
4. Retirez la vis phillips (1) située sur le couvercle de l'élément chauffant (2).
5. Tournez le couvercle de l'élément chauffant (2) dans le sens inverse des aiguilles d'une montre et tirez-le doucement vers l'extérieur.
6. Débranchez le câble électrique de l'élément chauffant.
7. Retirez l'élément chauffant de sa prise de courant.



RÉPARATIONS RAPIDES

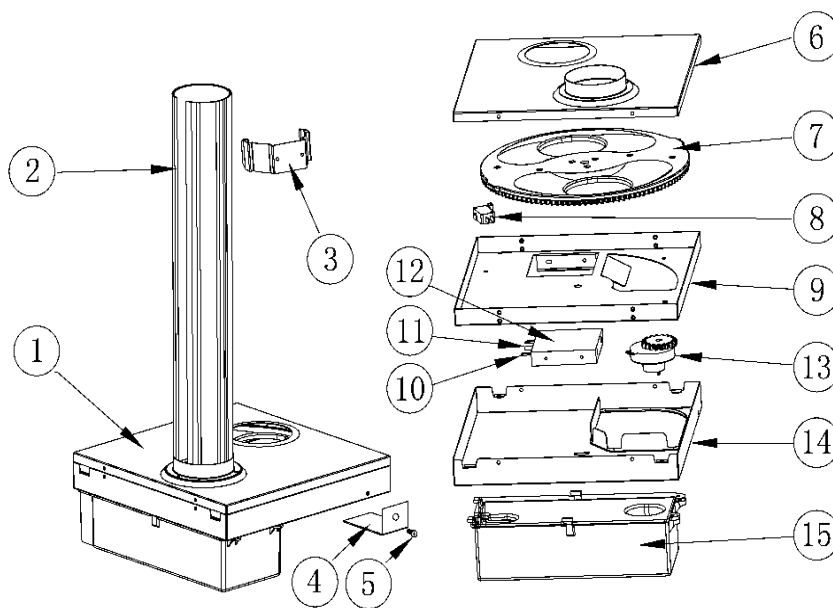
Seul un technicien agréé peut effectuer des réparations électriques sur cet appareil.

Bradley Technologies Canada Inc. ne sera en aucun cas responsable pour tout mauvais fonctionnement ou dommage causé par des réparations électriques inadéquates.



Remplacement du brûleur de bisquettes et de la sonde du brûleur

Cette erreur se produit lorsque l'un des éléments ou les deux ne fournissent pas de chaleur au brûleur de bisquettes. Si la température du brûleur est inférieure à 100 degrés ou a augmenté de moins de 3 degrés dans une minute, le message d'erreur s'affiche et l'alarme retentit.



1. Ensemble distributeur de bisquettes
2. Tube d'alimentation
3. Support de tube d'alimentation
4. Glissière *située à l'intérieur de l'armoire du fumoir*
5. Vis de fixation
6. Couvercle pour distributeur de bisquettes
7. Plaque tournante
8. Commutateur de positionnement
9. Plaque centrale pour distributeur de bisquettes
10. Éléments chauffants de bisquettes
11. Sonde de brûleur de bisquettes
12. Plaque de brûleur de bisquettes
13. Moteur d'entraînement
14. Plaque de fond pour distributeur de bisquettes
15. Commande de brûleur

Suite à la page 26

Pour changer l'élément chauffant*, veuillez procéder comme suit :

1. Mettez l'interrupteur d'alimentation hors tension. Voir l'emplacement de l'interrupteur (9) à la page 8.
2. Débranchez le câble d'alimentation de la prise électrique.
3. Assurez-vous de disposer de suffisamment de temps pour refroidir le fumoir après utilisation.
4. Retirez les bisquettes et le tube à bisquettes (2)
5. Pour desserrer la bisquette, retirez la vis phillips (5) située dans l'armoire (page 9).
6. Pour retirer le couvercle des câbles(page 23) (4), enlevez la vis phillips (3) située dans l'armoire latérale.
7. Enlevez verticalement le couvercle des câbles
8. Débranchez les 2 connecteurs du harnais de câbles
9. Retirez doucement le distributeur de bisquettes.
10. Démontez la commande de brûleur (15)
11. Retirez les 4 vis inférieures qui relient la plaque centrale (9) et la plaque inférieure (14) du distributeur de bisquettes.
12. Débranchez les câbles de l'élément chauffant de bisquettes (10) et le câble de la sonde (11).
13. Desserrez les 4 vis qui maintiennent la plaque du brûleur de bisquettes et enlevez-la.
14. Desserrez la sonde du brûleur à bisquettes, retirez la vis qui le maintient et retirez doucement la sonde.

****REMARQUE Cette procédure s'applique également lors du changement du moteur d'entraînement (13).
Pour changer l'interrupteur de positionnement (8), desserrez les 4 vis du couvercle du distributeur de bisquettes (6). Retirez le couvercle pour accéder à l'interrupteur (8)***

RÉPARATIONS RAPIDES

Seul un technicien agréé peut effectuer des réparations électriques sur cet appareil.

Bradley Technologies Canada Inc. ne sera en aucun cas responsable pour tout mauvais fonctionnement ou dommage causé par des réparations électriques inadéquates.

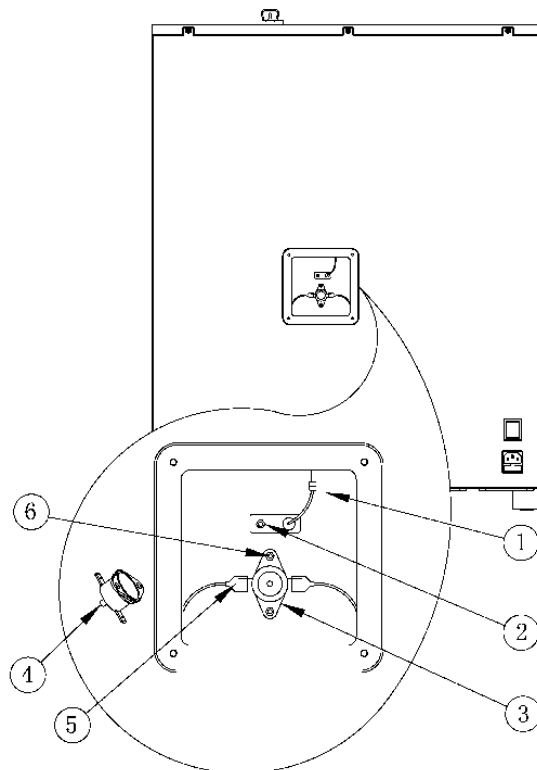
Remplacement de la sonde de limiteur de température de l'armoire



Lorsque le fumoir détecte la défaillance de la sonde ou perd la connexion avec celle-ci, le code d'erreur s'affiche accompagné d'une alarme sonore. Appuyez sur le bouton rotatif pour arrêter l'alarme. Vérifiez la sonde et ses connexions.

Pour changer la sonde dans l'armoire, veuillez procéder comme suit :

1. Mettez l'interrupteur d'alimentation hors tension. Voir l'emplacement de l'interrupteur (9) à la page 8.
2. Débranchez le câble d'alimentation de la prise électrique.
3. Assurez-vous de disposer de suffisamment de temps pour refroidir le fumoir après utilisation.
4. Retirez toutes les grilles du fumoir
5. Retirez les 4 vis philips qui maintiennent la plaque de couverture de la sonde. Voir #11 à la page 8
6. Retirez le couvercle et la partie d'isolation qui couvrent la sonde
7. Débranchez le connecteur du fil de la sonde(1)
8. Retirez la vis philips (2) du côté de l'armoire qui contient la sonde et remplacez la sonde.
9. Le limiteur de température (3) se trouve juste en dessous de la sonde de température.
10. Il peut être réinitialisé en appuyant sur le bouton central du limiteur lui-même (4).
11. Pour remplacer ce limiteur, débranchez les fils (5) de chaque côté du limiteur et retirez les 2 vis philips (6).



RÉPARATIONS RAPIDES

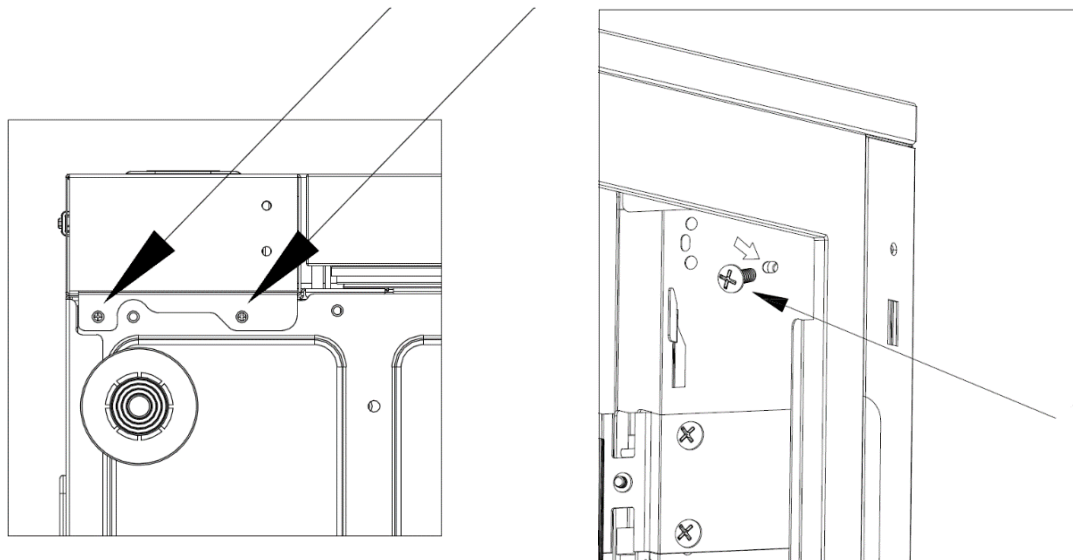
Seul un technicien agréé peut effectuer des réparations électriques sur cet appareil.

Bradley Technologies Canada Inc. ne sera en aucun cas responsable pour tout mauvais fonctionnement ou dommage causé par des réparations électriques inadéquates.

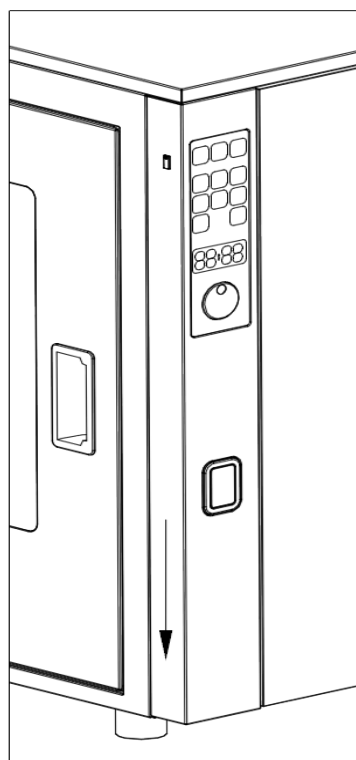
Remplacement de panneau d'affichage

En cas d'affichage défectueux qui doit être changé, veuillez suivre les étapes suivantes :

1. Mettez l'interrupteur d'alimentation hors tension. Voir l'emplacement de l'interrupteur (9) à la page 8.
2. Débranchez le câble d'alimentation de la prise électrique.
3. Assurez-vous de disposer de suffisamment de temps pour refroidir le fumoir après utilisation.
4. Enlevez toutes les grilles, les bols et la cuvette d'égouttage.
5. Retirez le tube d'alimentation et les bisquettes à l'intérieur.
6. Posez le fumoir sur sa face arrière sur une surface plane et régulière.
7. Retirez les 2 vis de la plaque de fixation inférieure (voir schéma ci-dessous)

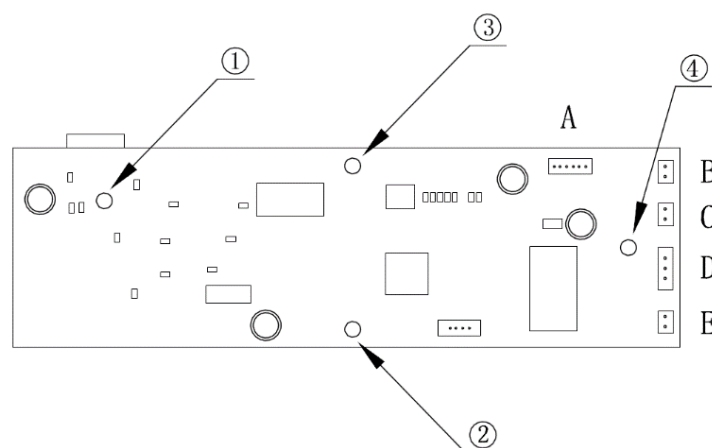


Suite à la page 29



8. Appuyez sur le bouton de la porte et effectuez doucement un mouvement vers le bas sur tout le panneau métallique vertical jusqu'à ce qu'il se détache.

Voir l'illustration ci-dessous à gauche



Voir l'illustration ci-dessus à droite

9. Débranchez doucement toutes les prises de câbles une par une et mettez-les de côté.
- A. Faisceau de câbles principal
 - B. Fil de sonde à viande 1
 - C. Fil de sonde à viande 2
 - D. Câble de la sonde de température de l'armoire
 - E. Fil de l'interrupteur de porte
10. Retirez les vis philips (1 à 4)en maintenant l'écran d'affichage enfoncé.
11. Retirez doucement l'écran de son emplacement.
12. Alors que vous enlevez l'écran, vérifiez que le port USB ne se coince pas derrière le bord de l'écran.
13. Réinstallez le nouvel écran dans l'ordre inverse des étapes décrites ci-dessus.

CARACTÉRISTIQUES ÉLECTRIQUES

Tension nominale	110 / 220 - 240V AC (données spécifiques fixées par l'usine)
Fréquence nominale	50 / 60 Hz
Puissance nominale	1000 W
Élément chauffant principal	2 x 400 W
Brûleur de bisquettes	2 x 100 W

CAPACITÉS

Volume interne	76 L 5 6 grilles (4 grilles incluses)
Capacité totale	5 x 0,13 m ² / 5 x 201,6 pouces ²
Surface de cuisson	

SPÉCIFICATIONS OPÉRATIONNELLES

SPÉCIFICATIONS RELATIVES AU TEMPS DE CUISSON (RÉGLABLES)

Plage de temps de cuisson	de 0 à 10 heures
Incrément de temps de cuisson	10 min chaque fois

SPÉCIFICATIONS DU TEMPS DE FUMAGE (RÉGLABLES)

Plage de temps de fumage	de 00:20 à 9:40 heures
Incréments de temps de fumage	20 min à la fois

LES SPÉCIFICATIONS RELATIVES À LA TEMPÉRATURE DE FONCTIONNEMENT (RÉGLABLES)

Plage de température de fonctionnement interne du fumoir	30 à 160 °C / 86 à 320 °F
Incrément de la plage interne du fumoir	1 °C / 1 ou 2 °F à la fois
Température extérieure de fonctionnement	-9 à +50 °C / 15,8 à 122 °F

**Remarque : ne faites pas fonctionner votre fumoir en dehors de ces paramètres car ceci l'endommagera définitivement.*

**Remarque : COLD s'affiche à l'écran lorsque la température tombe en dessous de -10 °C/ 14 °F*

Le fumoir ne s'allumera pas.

CARACTÉRISTIQUES DE FONCTIONNEMENT DE LA SONDE À VIANDE

Plage de la consigne de température réglable lors du raccordement au fumoir	30 à 100 °C / 86 à 212 °F
Incrément de la plage de réglage	1 °C / 1 ou 2 °F à la fois
Plage de mesure de la température interne des aliments	0 à 100 °C / 32 à 212 °F

**Remarque : Les sondes à viande ne vont pas au lave-vaisselle.*

**Remarque : Pour les meilleures pratiques, laissez toujours les sondes connectées.*

GARANTIE

Le fumoir Bradley comporte une garantie limitée de 1 an contre les défauts de fabrication

Exigences et restrictions:

La garantie prend effet à partir de la date d'achat. Conservez vos reçus de caisse comme preuve de la date d'achat. La garantie se limite à la réparation et au remplacement de pièces tel qu'établi par Bradley Technologies inc.

À sa discrétion, Bradley Technologies fournira une pièce de remplacement pour tout composant que Bradley Technologie inc. juge défectueux et ne saurait être tenue responsable d'assembler de nouveau le composant en question.

Cette garantie limitée n'est pas transférable et devient nulle si le produit est utilisé à des fins commerciales ou de location. La garantie couvre uniquement les défauts de fabrication. Cette garantie limitée ne permet pas le remboursement de coûts relatifs aux inconvénients, à la perte de nourriture, aux blessures personnelles ou aux dommages à la propriété.

La garantie est valide uniquement dans le pays d'achat de l'appareil. Il incombe à l'acheteur d'origine d'assumer les frais d'expédition et de manutention afférents à la commande de pièces non couvertes par la garantie.

Le numéro de série du fumoir doit être indiqué sur toute réclamation en vertu de la garantie.

Bradley Technologies exclut de sa garantie les éléments suivants :

Les défauts, les dommages résultant d'un accident, l'utilisation excessive ou une mauvaise utilisation, la modification, un assemblage ou une installation incorrects et le vandalisme ne sont pas couverts. Les dommages résultant de conditions météorologiques, y compris, sans toutefois s'y limiter, la grêle, les ouragans, les tornades, les tremblements de terre, le vent, la pluie ou la neige ne sont pas couverts.

L'usure normale, l'écaillage ou les rayures sur les surfaces peintes ne sont pas couverts.

La décoloration résultant de l'exposition au soleil, à la chaleur ou aux produits chimiques n'est pas couverte par cette garantie.

Les modifications apportées aux pièces ou à l'état d'origine du fumoir annuleront cette garantie.

Le manquement à effectuer un entretien régulier, des vérifications de sécurité et des réparations incluant, sans toutefois s'y limiter, l'enlèvement de l'accumulation de graisse ayant causé une inflammation instantanée, les dommages causés par un incendie de graisse ne sont pas couverts par cette garantie.

Afin d'assurer votre satisfaction, et à des fins de service de suivi, veuillez enregistrer votre fumoir en ligne à l'adresse www.bradleymoker.com.

Pour tout ce qui a trait à la garantie et aux services à la clientèle, veuillez composer le 1 866-508-7514 (sans frais).

Élimination correcte de ce produit



Ce symbole indique que ce produit ne doit pas être jeté dans les ordures ménagères dans l'UE. Son utilisateur devra le séparer d'autres types de déchets pour son recyclage, afin d'empêcher que son mauvais traitement ne nuise à l'environnement ou à la santé publique, ce qui contribuera à la réutilisation durable de ressources. Pour retourner votre appareil usagé, veuillez utiliser les systèmes de retour et de collecte qui vous sont proposés dans chaque pays où le produit a été acheté ou contacter le détaillant chez qui vous avez acheté le produit. Il peut recycler ce produit sans danger pour l'environnement. Celui-ci peut procéder au recyclage du produit en toute sécurité.

Manual del usuario



Ahumador digital Bradley con capacidad para 5 estantes, serie profesional

120v: MODELO BS1019
220-240v: MODELO BS1019CE



Bradley Technologies Canada Inc.
1-866-508-7514
info@bradleymoker.com
www.bradleymoker.com

Printed in China/ Imprimé en Chine/ Impreso en China/ Gedruckt in China
August 2021/ Août 2021/ Agosto de 2021/ August 2021

Estimado Señor o Señora:

Tecnología revolucionaria de ahumado para chefs de familia

Bienvenido a la maravillosa experiencia de ahumar en exteriores y del asado a fuego lento. Bradley Smoker es un horno para ahumar aislado y diseñado para generar automáticamente un flujo continuo de humo limpio. Es un electrodoméstico exterior que permite cocinar, asar, ahumar en caliente y también en frío (añadiendo hielo) alimentos con resultados uniformemente superiores, usando el mínimo esfuerzo.

Bradley Smoker es único porque produce humo que es cuatro veces más limpio que las virutas de quemar tradicionales* o los gránulos de madera, porque apaga automáticamente el bisquette consumido, evita la formación de gases y ácidos a altas temperaturas. Además, Bradley Smoker cumple con los estándares norteamericanos y europeos de electrodomésticos.

Hay maderas diferentes de los Bradley Flavor Bisquettes que se han diseñado especialmente para su ahumador: aliso, manzana, cereza, nogal americano, arce, mezquite, roble, nuez, mezcla especial y roble whisky. Para conseguir ideas de recetas, eche un vistazo al folleto de recetas adjunto y a nuestro sitio web: www.bradleysmoker.com.

También le sugerimos que pruebe nuestra colección de recetas Bradley, parrillas para ahumados de Bradley, parrillas originales de Bradley, ganchos para salchichas, cubiertas de protección para el clima, gorras, delantales y el termómetro digital de Bradley con sonda para la carne, que elimina todas las molestias de asar y ahumar carne. Espero que disfruten cocinando y ahumando todos estos años.

Atentamente,
Wade Bradley



**En base a estudios y pruebas realizadas en el British Columbia Institute of Technology.*

Índice

✓ Seguridad	Página 4-5
✓ Mantenimiento general	Página 6
✓ Componentes externos	Página 7
✓ Componentes internos	Página 8-9
✓ Instrucciones de montaje	Página 10
✓ Cómo sazonar por primera vez	Página 11
✓ Pautas de funcionamiento	Página 12
✓ Uso óptimo	Página 13
✓ Funciones de visualización	Página 14-18
✓ Actualización del firmware	Página 19
✓ Antes de llamar	Página 20
✓ Resolución de problemas	Página 21-22
✓ Reparaciones rápidas	Página 23-27
✓ Especificaciones	Página 28
✓ Garantía	Página 29

ADVERTENCIAS DE SEGURIDAD IMPORTANTES

POR FAVOR, GUARDE ESTAS INSTRUCCIONES

Lea todas las instrucciones antes del uso

Precauciones básicas de seguridad

- Lea atentamente las instrucciones de montaje para preparar el ahumador para su uso.
- No toque superficies calientes. Utilice mangos o perillas.
- Para garantizar que las parrillas del ahumador funcionen de forma segura, es crítico colocar correctamente las parrillas entre las guías laterales. Esto asegurará que, durante la extracción cuidadosa de la parrilla, los alimentos calientes no se salgan.
- Para protegerse contra posibles descargas eléctricas, no sumerja el cable ni los enchufes en agua ni en otros líquidos.
- Este electrodoméstico pueden utilizarlo niños a partir de los 8 años y personas con capacidades físicas, sensoriales o mentales reducidas o con falta de experiencia y conocimientos, siempre que hayan sido supervisados o hayan recibido instrucciones sobre el uso del aparato de forma segura y que entiendan los peligros que conlleva.
- No debe permitir que los niños jueguen con el electrodoméstico.
- No dejar que los niños limpien ni realicen tareas de mantenimiento del aparato sin supervisión
- Desenchúfelo cuando no esté usándolo y siempre antes de limpiarlo. Deje que se enfríe antes de poner o retirar cualquier pieza.
- No maneje ningún electrodoméstico con un cable o enchufe dañado o después de que este funcione mal o se haya dañado de alguna manera.
- El fabricante del electrodoméstico no recomienda el uso de accesorios. Esto podría causar lesiones.
- No modifique su ahumador respecto a su estado original. La modificación del electrodoméstico anulará la garantía.
- No deje que el cable cuelgue del borde de la mesa o encimera, ni que toque superficies calientes.
- No lo coloque sobre o cerca de un quemador de gas o eléctrico, o un horno caliente o una parrilla de barbacoa.
- Tenga especial cuidado cuando mueva un electrodoméstico que contenga aceite u otros líquidos calientes.
- Primero, conecte el cable al electrodoméstico y el otro extremo al enchufe. Para desconectarlo, gire todos los controles a "apagado" y retire el enchufe de la toma de la pared.
- No utilice el electrodoméstico para ningún otro propósito que no sea el uso previsto.
- No utilice ningún otro tipo de madera que no sea Bradley Flavor Bisquettes®.
- Levante y mueva el ahumador con cuidado para evitar lesiones y lesiones en la espalda.
- Tenga cuidado al meter el brazo dentro de o sobre un ahumador.
- Se recomienda colocar un extintor de incendios cerca del ahumador. Consulte a su autoridad local para determinar el tamaño y el tipo de extintor adecuado.
- Si usa un cable de extensión, sus características nominales eléctricas deben ser al menos superiores a las del electrodoméstico.
- El cable debe estar dispuesto de tal manera que no caiga sobre la encimera ni sobre la mesa, donde los niños puedan tirarlo o tropezarse con él sin querer.
- Si se necesita un alargador, debe ser un cable aprobado de uso intensivo y de no más de 1,85 m (6 pies) de largo. • Los alargadores para exteriores deben usarse con productos para uso en exteriores y tienen una superficie con el sufijo "W" y una etiqueta que indica "Adecuado para su uso con electrodomésticos de exteriores".
- Precaución: ¡riesgo de descarga eléctrica! Mantenga la conexión del cable de extensión seca y lejos de suelo. • Deseche adecuadamente todos los embalajes.
- Tenga cuidado al montar, manejar, manipular o limpiar su ahumador, ya que algunos bordes de piezas metálicas pueden estar afilados.

Lea atentamente las Instrucciones de montaje en la página 10 para preparar el ahumador para su uso

ADVERTENCIAS IMPORTANTES DE SEGURIDAD, CONTINUACIÓN

- Es necesaria una atenta supervisión cuando cualquier aparato sea usado por niños o cerca de ellos.
 - Utilice precaución extrema al retirar la bandeja o al desechar la grasa caliente.
 - No limpiar con estropajos de metal. Se pueden romper partes del estropajo y tocar piezas eléctricas, creando riesgo de descarga eléctrica.
 - No se deben introducir alimentos de gran tamaño ni utensilios de metal en el Ahumador, ya que podrían crear fuego o riesgo de descarga eléctrica.
 - Podría aparecer fuego si el Ahumador se cubre o toca material inflamable, incluyendo cortinas, tapicerías, paredes y similares cuando está en funcionamiento. No guardar ningún objeto encima del dispositivo cuando esté en funcionamiento.
 - Se debería tener precaución extrema al utilizar recipientes contruidos de materiales distintos a metal o vidrio.
 - No guardar ningún material, aparte de los accesorios recomendados por el fabricante, en este Ahumador cuando no esté en uso.
 - No situar ninguno de los materiales siguientes en el Ahumador: papel, cartón, plástico y similares.
 - No cubra la bandeja ni cualquier parte del Ahumador con papel de aluminio. Esto provocará un sobrecalentamiento del Ahumador.
-
- Apague el dispositivo pulsando el interruptor de la parte posterior. *Vaya a la página 6*
-
- No opere nunca ningún electrodoméstico con un cable o enchufe dañado o después de que haya funcionado mal o se haya dañado de cualquier modo.
 - Devuelva el electrodoméstico a la instalación de servicio autorizado más cercana para su examen, reparación o ajuste.

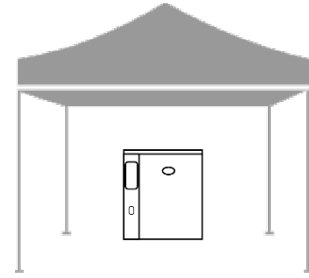
Cable de extensión de alimentación

- Se proporciona un cable de alimentación corto para reducir el riesgo de enredarse o tropezar con un cable largo.
- Hay disponibles cables de extensión largos y se pueden utilizar si se usan con cuidado.
- Si se utiliza un cable de extensión largo:
- La calificación eléctrica marcada del cable de extensión debería ser al menos igual de grande que la calificación eléctrica del electrodoméstico.
- Se debería disponer el cable para que no caiga sobre la encimera o la mesa donde los niños podrían tirar de él
- o tropezarse sin querer.
- El cable o cable de extensión debería ser un cable de 3 cables con toma de tierra.

UTILIZAR EN EXTERIORES SOLAMENTE

Peligro de monóxido de carbono

- El uso o la combustión de los Bradley Flavored Bisquettes en este producto podrían exponer al usuario a productos químicos tales como el monóxido de carbono. El uso sin ventilación aumentará el riesgo de problemas de salud graves, hasta e incluyendo la muerte
- Este aparato tiene clasificación de humedad IPX0. Úselo solo al aire libre mientras esté protegido y a 10 pies (3 m) de distancia de construcciones, paredes o rieles elevados
- El área protegida debe estar bien ventilada y protegida de la lluvia directa y del viento. • El ahumador debe situarse en una superficie dura, incombustible y lejos de cualquier otro material combustible, tales como voladizos de techados y apartaderos de paredes.
- Tener cuidado para evitar tocar los elementos calefactores del interior del horno. Utilizar solo las sondas de temperatura existentes suministradas con este horno.
- ADVERTENCIA: el electrodoméstico y sus piezas accesibles pueden calentarse durante el uso. Los niños menores de 8 años se mantendrán alejados a menos que sean supervisados continuamente
- La limpieza y mantenimiento de usuario no deben realizarlo niños sin supervisión.
- No se debe utilizar un limpiador de vapor o una limpiolavadora
- No enchufe el ahumador hasta que esté completamente montado.



Cuando esté en funcionamiento

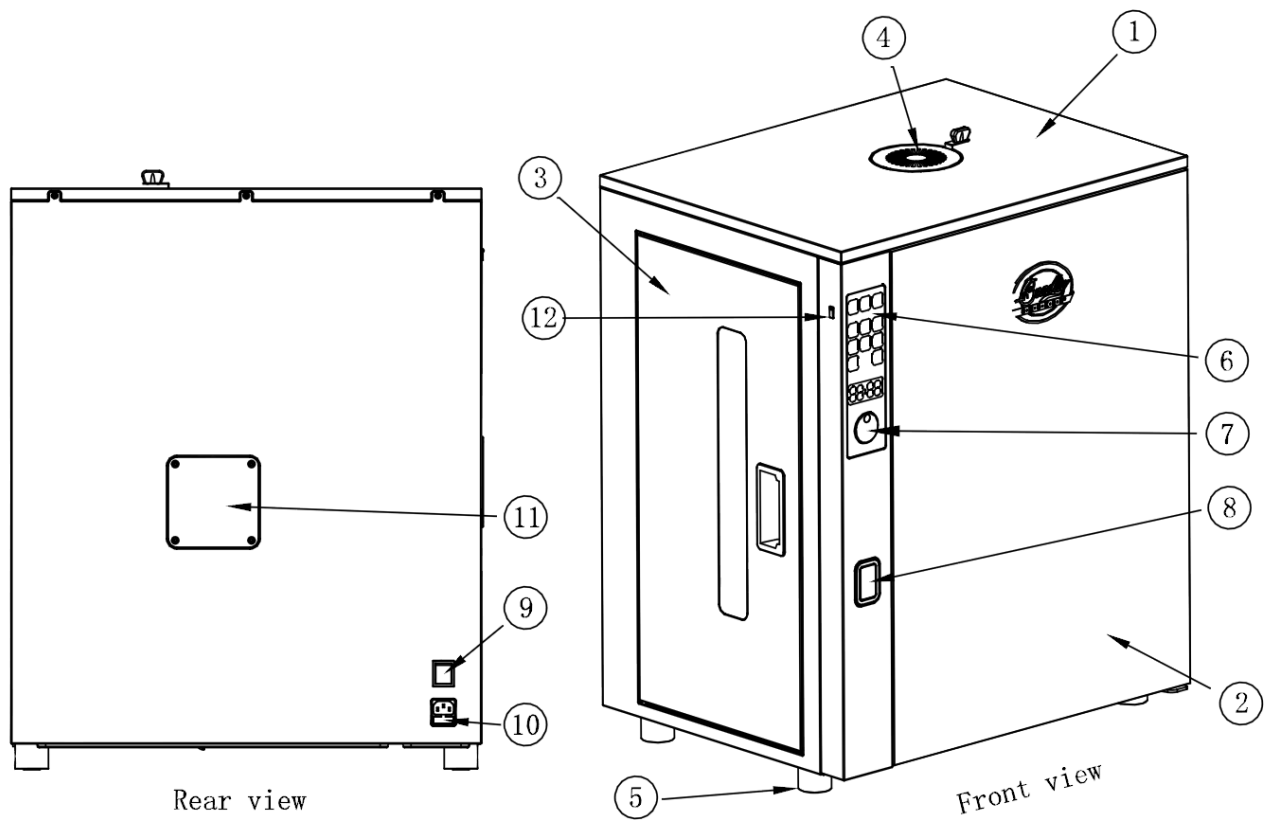
No dejarlo desatendido.

- No cubra ni selle las parrillas ni la bandeja de goteo con papel de aluminio. Esto puede causar graves daños a su ahumador. • No mueva el ahumador cuando esté en uso.
- No supere una temperatura interna del gabinete de 150 °C (300 °F)
- Use siempre guantes para hornos o para proteger las manos contra las quemaduras. No use ropa suelta ni permita que el cabello cuelgue libremente.
- No utilice los embalajes para cubrir el ahumador.
- Use solo una toma con conexión a tierra aprobada.
- No permita que el agua de lluvia o nieve entre en contacto con el ahumador en ningún momento.
- Para evitar el humo y el monóxido de carbono, no use el producto en interiores, sino en un área bien ventilada.
- Para evitar el riesgo de descarga eléctrica, úselo debajo de un refugio o cenador. No lo use durante una tormenta eléctrica ni en condiciones de viento. No utilizar cuando llueva o nieva.
- No lo utilice cerca de gasolina ni de otros líquidos inflamables, gases, o lugares donde pueda haber vapores inflamables. • No lo sumerja en agua.

Vacíe el recipiente de agua cada 2 a 3 horas de bisquettes de madera quemada y rellene con agua dulce

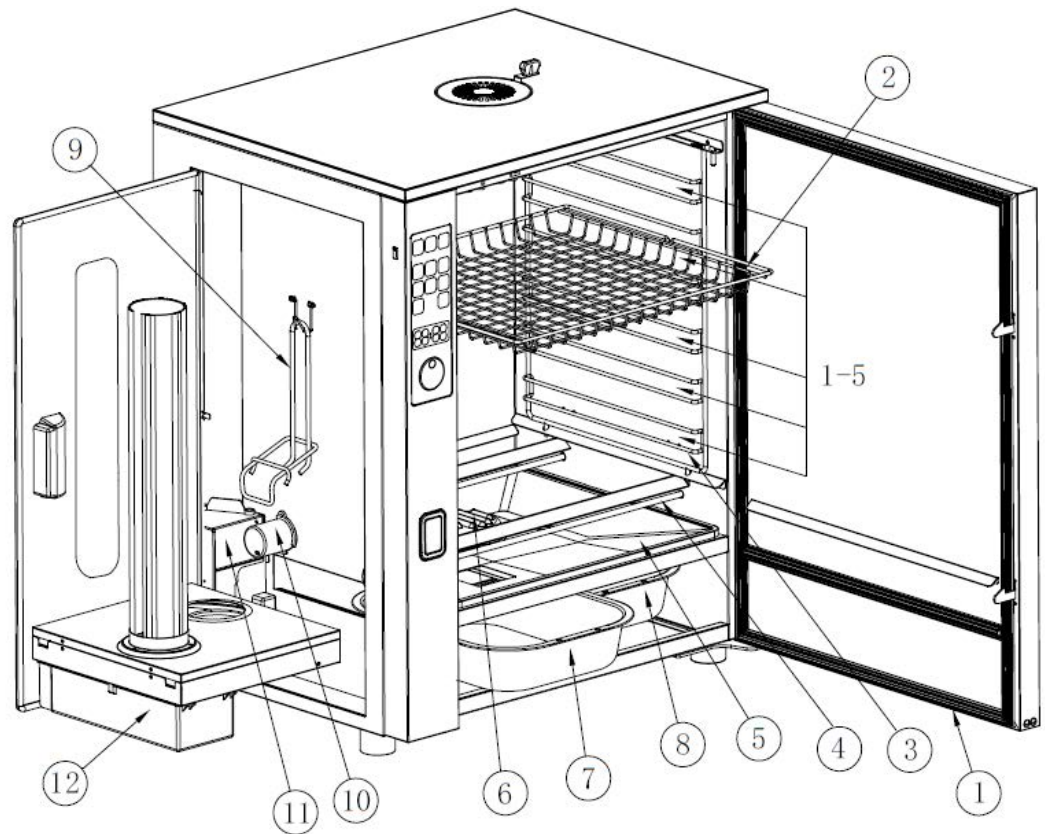
Después de cada uso

- Desenchufe el ahumador cuando no esté en uso. Consulte la sección "Procedimientos de mantenimiento" de la página 6.
- Coloque los Bradley Flavor Bisquettes® apagados a una distancia segura de todas las estructuras y de los materiales combustibles.
- Guarde el ahumador en un lugar seco y cubierto, fuera del alcance de los niños.
- Limpie cualquier grasa. La acumulación de grasa puede provocar un incendio.
- No limpiar con vapor ni lavar a presión este aparato.



Componentes exteriores

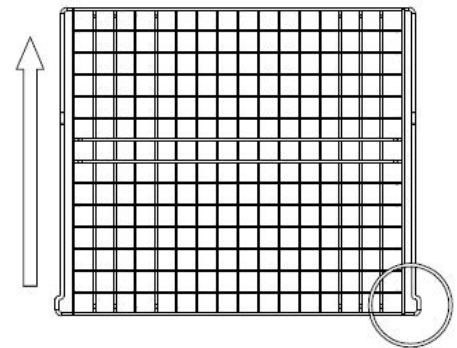
- 1. Gabinete del ahumador
- 2. Puerta delantera
- 3. Puerta del dispensador de bisquettes (lateral)
- 4. Amortiguador de ventilación de la chimenea
- 5. Pies
- 6. Panel de visualización
- 7. Selector giratorio
- 8. Pulsador para abrir la puerta
- 9. Botón de encendido/apagado
- 10. Toma de corriente
- 11. Cubierta de reemplazo del sensor
- 12. Puerto USB



Uso correcto de las parrillas

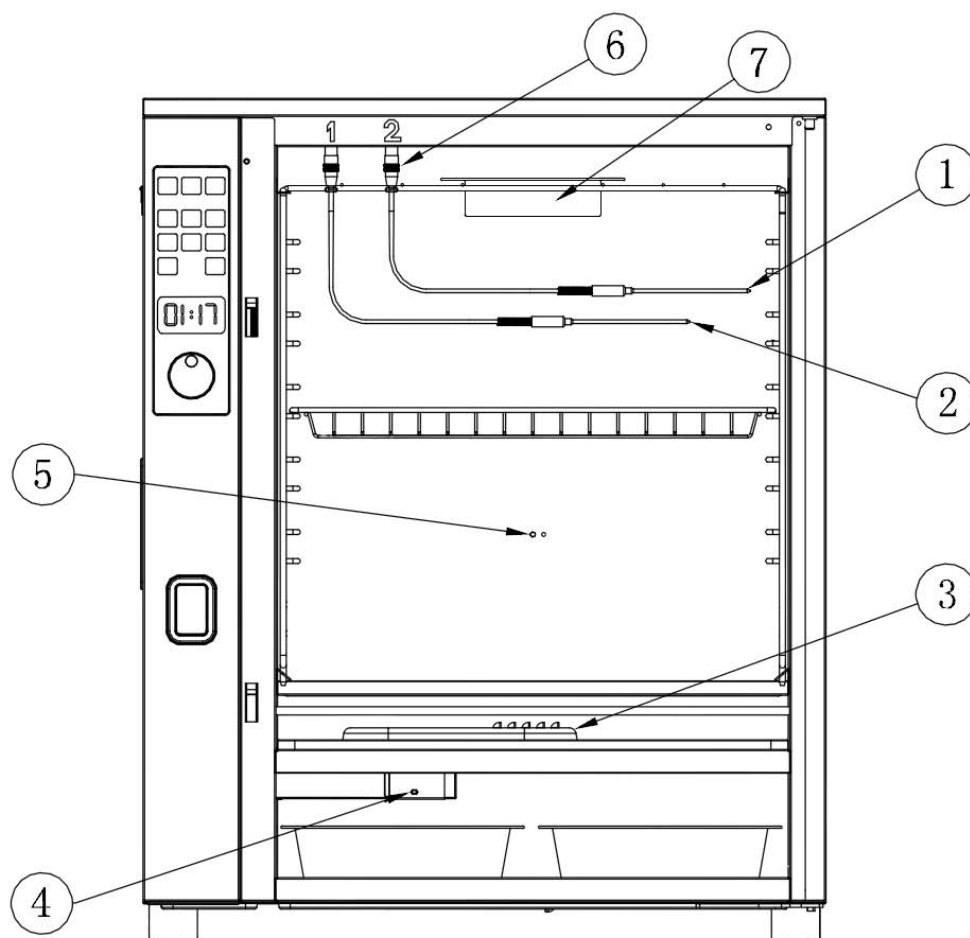
Las parrillas deben usarse en sus ranuras de soporte diseñadas (1-5) solo como se muestra en el diagrama.

Si se insertan incorrectamente, no se secarán adecuadamente y, estando calientes, podrían causar daños serios.



Componentes internos del gabinete

1. Sello de la puerta
2. Parrilla (4 incluidas)
3. Estanterías para parrillas
4. Calentador
5. Bandeja antigoteo
6. Difusor de humo
7. Recipiente para el agua
8. Cuenco de derretimiento
9. Gancho de elevación
10. Cubierta del calentador extraíble
11. Funda extraíble para mazo de cables
12. Dispensador de bisquites



Componentes internos del gabinete (continuación)

1. Sonda para carne 1
2. Sonda para carne 2
3. Difusor de humo
4. Tornillo de fijación del dispensador de bisquettes.
5. Sensor de temperatura interna
6. Conector de cable de la sonda para carne
7. Cuenco de condensación con parrilla

Instrucciones de montaje

Cómo montar un ahumador de la serie profesional Bradley BS1019 (CE-UE) de 5 parrillas

Retire el ahumador de la caja.

Retire todas las piezas empacadas del ahumador.

Retire todos los materiales de embalaje de protección de las piezas.

Sitúe el ahumador en una base firme, vertical o de mesa.

Abra la puerta del gabinete y retire todos los materiales de embalaje de protección internos

Desate el plástico que sostiene las parrillas en los estantes de las parrillas.

Retire todas las parrillas, la bandeja de viaje, la cubierta de humo, el recipiente de agua y el recipiente de derretimiento para limpiar los residuos plásticos restantes del gabinete.

Vuelva a montar todos los componentes cuando haya retirado el plástico y el embalaje y después de haber limpiado el gabinete de escombros.

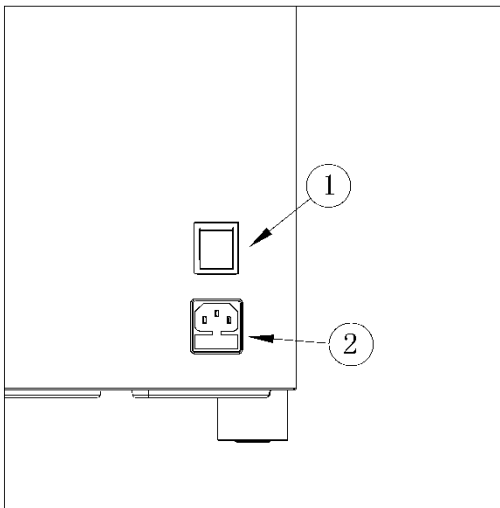
Manipulación de embalajes

Todos los embalajes deben desecharse según las normativas de su área.

La caja del embalaje no debe usarse como una cubierta cuando maneje el ahumador.

Configuración de la conexión eléctrica en este orden

1. Enchufe el cable de alimentación incluido en la parte posterior de la toma del ahumador (2).
2. Enchufe el otro extremo del cable de alimentación a la toma de corriente.
3. Encienda el interruptor de alimentación principal (1).



PRECAUCIÓN

PARA GARANTIZAR LA PROTECCIÓN CONTINUA CONTRA EL RIESGO DE DESCARGAS ELÉCTRICAS, CONÉCTELO SOLAMENTE A UN ENCHUFE CON PUESTA A TIERRA ADECUADA

PRECAUCIÓN

DESCONÉCTELO DE LA TOMA DE CORRIENTE ANTES DE LA LIMPIEZA O DEL MANTENIMIENTO
NO SUMERGIRLO NI EXPONERLO A LA LLUVIA

Este dispositivo cumple con las normas RRS exentas de licencia de Industry Canada.

El funcionamiento está sujeto a las siguientes dos condiciones: (1) este dispositivo no puede causar interferencias, y (2) este dispositivo debe aceptar cualquier interferencia, como aquellas que puedan causar un funcionamiento no deseado del dispositivo.

Configuración del ahumador por primera vez para sazonar

Aderezar el Bradley Smoker® es un proceso continuo. Cuanto más lo use, mejor será el sabor de sus alimentos. El aderezo es principalmente para eliminar los olores imparciales de su ahumador. El olor de su nuevo Bradley Smoker® no tiene por qué ser necesariamente equivalente al sabor de su carne.

Método de aderezo:

Lave sus parrillas, la bandeja antigoteo, el cuenco de agua y el de derretimiento, y vuelva a colocarlo todo en el ahumador.

Llene el recipiente antigoteo con agua. No supere el marcador de nivel de llenado.

Abra la puerta lateral y rellene el tubo de alimentación con seis Bradley Flavor Bisquettes®.

Conecte el cable de alimentación a la parte posterior del ahumador. Conecte el otro extremo del cable a su propia toma asignada. El tiempo de aderezo recomendado es de 2 horas o hasta que los bisquettes se consuman.

Su ahumador se aderezará después de alcanzar los 66 °C (150 °F) y de ahumarse durante 2 horas.

Encienda el interruptor de alimentación principal situado en la esquina inferior derecha, en la parte posterior del ahumador.

Consulte los controles de la pantalla en la página 14

En la pantalla principal, elija la configuración adecuada de temperatura y tiempo de cocción y ahumado. Cuando haya finalizado el aderezo, deseche los bisquettes quemados. Ahora está listo para usar su ahumador.

**Nota: cada bisquette tarda en quemarse 20 minutos.*

Abra el amortiguador en la parte superior de la torre del ahumador.

Pautas de funcionamiento

Primeros pasos

Después del aderezo, vacíe y vuelva a rellenar su recipiente de agua cada 2-3 horas

Coloque su comida en las parrillas de cocción y cárguelas en el ahumador.

Posicione el amortiguador en la abertura deseada. No cierre la compuerta completamente cuando el humo esté fluyendo.

Encienda el ahumador presionando el interruptor de encendido.

Elija las temperaturas y los tiempos de cocción deseados.

(consulte los controles de la pantalla en la página 14-18)

Nota: para obtener una temperatura más precisa de los alimentos que se ahúmen, use las sondas para carne.

Tenga en cuenta que la temperatura ambiente y el viento afectarán a la temperatura de cocción del ahumador.

"Recuerde limpiar su ahumador después de cada uso".

Ahumar en frío:

- Utilice la opción de ahumado solamente.
- Abra el amortiguador al máximo.
- Si la temperatura exterior es demasiado alta, use hielo para mantener la temperatura alrededor de 32 °C (90 °F)

Para evitar que el hielo gotee, eche los cubitos de hielo en un recipiente de plástico o en una bolsa Ziploc y sitúelos en la parrilla inferior. Rellene el hielo una vez que se haya derretido.

NO COLOQUE NUNCA EL HIELO DE FORMA SUELTA EN LAS PARRILLAS

NO CUBRA NUNCA POR COMPLETO EL ESTANTE CON HIELO: RESTRINGIRÁ EL FLUJO DE HUMO

Uso óptimo de su Bradley Smoker

Bradley Smoker está hecho para cocinar a fuego lento. Tómese su tiempo y planifique con antelación, ya que su ahumador se diseñó para ahumar a fuego lento. Al usar este método, obtendrá un sabor y aroma mejores.

No llene en exceso sus parrillas: deje siempre espacio para permitir un flujo de aire constante; de lo contrario, su humo quedará atrapado y no circulará por toda la unidad.

Para cocinar o ahumar uniformemente, se recomienda girar las parrillas hacia arriba y hacia abajo y hacia adelante y hacia atrás.

Los tiempos de y la temperatura del ahumado variarán según las siguientes condiciones:

- Temperatura del aire ambiente
- Cantidad de producto en el ahumador
- Temperatura interna del producto a ahumar.
- Las lecturas de temperatura mostradas son solo para referencia

No cierre NUNCA la ventilación del ahumador completamente.

Vacíe y vuelva a rellenar su recipiente de agua cada 2-3 horas

Cuando cocine o ahúme alimentos pesados con grasa, coloque un molde para tartas o un cuenco directamente debajo de los alimentos para recoger la mayor cantidad de material derretido posible. Esto ayudará a mantener limpio su Bradley Smoker y prolongará la vida útil de su ahumador. También ayudará a prevenir la posibilidad de que la grasa provoque un incendio.

Mantenga siempre su ahumador limpio para aumentar la longevidad de su unidad.

Nota: los cables de las sondas para carne no son aptos para lavavajillas.

No sumerja los cables ni los extremos de conexión en agua ni en líquidos de ningún tipo, ya que esto los dañará permanentemente.

Pautas de función de visualización.



ENERGÍA ENCENDIDA/APAGADA INDICADOR



BLOQUEO INFANTIL INDICADOR



CALENTAMIENTO DEL GABINETE INDICADOR



AJUSTE DE TEMPERATURA



AJUSTE DEL TIEMPO DE COCCIÓN



AJUSTE DEL TIEMPO DE AHUMADO



ENTRADA DE BISQUETTES



SONDA PARA CARNE 1



SONDA PARA CARNE 2



RECETA PERSONALIZADA



TEMPERATURA F/C



4 - PANTALLA DE DÍGITOS



DIAL GIRATORIO

**Nota: cuando los iconos estén en gris, significa que están desactivados*

Explicación de las funciones de pantalla



SELECTOR GIRATORIO/DIAL

Seleccione la función en la pantalla que desee ajustar

Si gira el dial giratorio en el sentido de las agujas del reloj, aumentará la configuración en la pantalla de 4 dígitos

Si gira el dial giratorio en el sentido contrario a las agujas del reloj, reducirá la configuración en la pantalla de 4 dígitos

Pulsando el dial giratorio, entrará en la selección de la configuración



ALIMENTACIÓN ENCENDIDA/APAGADA INDICADOR

Cuando se encienda la alimentación, el sonido emitirá un pitido una vez y la luz indicadora de alimentación se volverá roja y la luz indicadora del botón giratorio se volverá azul.

Después de 5 segundos, la pantalla mostrará la temperatura interior del gabinete y el dispensador de bisquettes introducirá un bisquette

**Nota: la pantalla muestra "OPEN" cuando la puerta está abierta.*



BLOQUEO INFANTIL INDICADOR

El bloqueo infantil se activará si no hay actividad en la pantalla tras 5 minutos. Cuando el bloqueo infantil está activado, todos los ajustes estarán deshabilitados.

Para desactivar el bloqueo infantil, presione el dial giratorio durante 3 segundos. La alarma sonará una vez y la luz indicadora se apagará.

Para activar el bloqueo infantil, presione el dial giratorio durante 3 segundos. La alarma sonará una vez y la luz indicadora se encenderá.



AJUSTE DE LA TEMPERATURA

Al presionar este indicador, la luz indicadora parpadeará en azul y la pantalla de 4 dígitos mostrará la temperatura actual del gabinete.

Gire el dial giratorio hasta que la pantalla de 4 dígitos muestre la temperatura deseada.

Presione el dial giratorio para confirmar la configuración.

**Nota: el ajuste se cancelará si no se realiza una confirmación en 5 segundos.*

**Nota: después de elegir la temperatura deseada, se debe seleccionar el tiempo de cocción. Si no se ha realizado una selección en 60 segundos, la se cancelará y la luz indicadora se apagará.*

**LOS INDICADORES DE LA FILA SUPERIOR 3 NO SON BOTONES, SÓLO SON LUCES INDICADORAS*

**LOS BOTONES TÁCTILES REQUIEREN UN LIGERO TOQUE. NO SON BOTONES PULSADORES*



AJUSTE DEL TIEMPO DE COCCIÓN




Al presionar este indicador, la luz indicadora parpadeará en azul y la pantalla de 4 dígitos mostrará la hora de inicio parpadeante 00:00.

Gire el dial giratorio hasta que la pantalla de 4 dígitos muestre el tiempo deseado.

Presione el dial giratorio para confirmar la configuración. Comenzará la cuenta atrás.

**Nota: el ajuste se cancelará si no se realiza una confirmación en 5 segundos.*


Después de seleccionar la temperatura del gabinete, los calentadores se encenderán y se

encenderán los siguientes indicadores:   

**Nota: para mostrar el tiempo de cocción restante, presione el indicador de ajuste de tiempo de cocción*

**Nota: cuando el contador de tiempo de cocción haya alcanzado 00:00, los calentadores se apagarán y la alarma sonará durante 1 minuto.*

Para cancelar la alarma, pulse el dial giratorio

**Nota: para cancelar el tiempo de cocción en cualquier momento, mantenga presionada la luz indicadora  durante 3 segundos.*

Los calentadores, además de    los indicadores, se apagarán.



AJUSTE DEL TIEMPO DE AHUMADO

CARGUE SUS BISQUETAS ÚNICAMENTE DESPUÉS DE COMPLETAR ESTE PASO.

Al presionar este indicador, la luz indicadora parpadeará en azul y la pantalla de 4 dígitos mostrará la hora de inicio parpadeante 00:20.

**Nota: el temporizador mostrará la temperatura interna del gabinete si no hay una confirmación en 5 segundos.*

Gire el dial giratorio en incrementos de 20 minutos hasta que la pantalla de 4 dígitos muestre el tiempo objetivo deseado.

Presione el dial giratorio para confirmar la configuración.

**Nota: cuando el quemador de bisquettes se calienta hasta su temperatura operativa (no ajustable), el dispensador de bisquettes gira media vuelta para expulsar la bisquette. Comienza la cuenta atrás.*

**Nota: para mostrar el tiempo de ahumado restante, presione el indicador de ajuste de tiempo de ahumado*

**Nota: cada bisquette se quema en 20 minutos (no ajustable)*

**Nota: la reprogramación del tiempo de ahumado tendrá efecto una vez transcurridos los 20 minutos anteriores.*

Esto elimina el bisquette sin quemar.

**Nota: cuando el contador de tiempo de ahumado haya vuelto a las 00:00, la alarma sonará durante 1 minuto.*

Para cancelar la alarma, pulse el dial giratorio

**Nota: un minuto antes de que finalice el temporizador del ahumado, el quemador de bisquettes se apagará automáticamente para evitar que se queme en exceso.*



FLUJO DE LOS BISQUETTES

Para mover manualmente el bisquette, presione el indicador. La luz indicadora parpadeará en azul y el plato giratorio girará media 2X 1/2 vuelta. Se saca el nuevo bisquette y se desecha el quemado al mismo tiempo. La pantalla digital muestra "FEEd" durante el avance del bisquette. Después de que el bisquette haya avanzado, la pantalla digital mostrará "DONE" (hecho)

Después de que el plato giratorio haya completado medio círculo, retrocede ligeramente y la temperatura interna del gabinete se mostrará nuevamente

Nota: el recipiente de agua debe vaciarse regularmente cada 2-3 horas. De lo contrario, se puede producir un atasco de bisquettes.

Nota: Este botón está diseñado principalmente para vaciar el sistema al final de la sesión de humo.

Nota: Primero configure sus ajustes, antes de cargar las bisquettes. De lo contrario, al presionar este botón, la bisquette avanzará al recipiente de agua.



SONDAS PARA CARNE 1/2

Al presionar este indicador, la luz indicadora parpadeará en azul y la pantalla de 4 dígitos mostrará la temperatura actual de la sonda.

**Nota: si no se produce una confirmación en 5 segundos, la pantalla de 4 dígitos volverá a la temperatura interna del gabinete.*

Gire el dial giratorio hasta que la pantalla de 4 dígitos muestre la temperatura de alerta deseada. Presione el dial giratorio para confirmar la configuración.

**Nota: el ajuste se cancelará si no se realiza una confirmación en 5 segundos.*

Cuando la sonda para carne alcance la configuración de alerta deseada, la luz indicadora parpadeará en azul y la alarma sonará durante 1 minuto. Para cancelar la alarma, pulse el dial giratorio

Para cancelar el ajuste de la sonda para carne, mantenga presionado la sonda durante 3 segundos.



TEMPERATURA F/C

Al presionar este indicador, la luz indicadora parpadeará en azul y la pantalla de 4 dígitos mostrará la temperatura actual en °F o °C. Presionando el indicador una vez cambiará la unidad.

**Nota: la conversión de °F a °C se calcula de la siguiente manera: (°C) = (Fahrenheit (°F) - 32) ÷ 1.8*



RECETA PERSONALIZADA

**Nota: las secuencias del menú de recetas personalizadas deben crearse en la aplicación del menú de recetas personalizadas de Bradley y descargarse en una unidad flash USB.*


Copie el archivo de la receta en formato .txt en la raíz de la unidad flash USB vacía.
Introduzca la unidad flash con el programa copiado en el puerto USB. Véase la pág. 19

Mantenga presionado este indicador durante 5 segundos, después de lo cual sonará el timbre.
El ahumador se conectará a la unidad flash y la pantalla digital mostrará EEEE

**Nota: no apague el ahumador durante la actualización. Una vez completada la actualización, el ahumador se reiniciará automáticamente.*

Cuando haya terminado, la pantalla digital no se mostrará EEEE, retire la unidad flash USB, inserte la cubierta protectora en la ranura USB y presione el indicador de receta personalizado de nuevo.
La luz indicadora parpadeará en azul y la pantalla de 4 dígitos mostrará el código de menú parpadeante 01.

Gire el dial giratorio hasta que la pantalla de 4 dígitos muestre el código de menú deseado 01-50
Presione el dial giratorio para confirmar la configuración. Después de confirmar la selección, el ahumador ejecutará el programa deseado cargado desde el USB.

Para cancelar la operación del menú de recetas, toque el  botón, gire el selector giratorio para elegir el código de menú "0" y presione el selector giratorio para confirmar el ajuste cancelando la operación del menú.

**Nota: cuando se haya creado un nuevo archivo de receta y se haya copiado en el ahumador, se borrarán todas las versiones anteriores de la receta.*

Puede crear un total de 50 menús de recetas con 25 secuencias de cocción y ahumado en cada una.
Para descargar la aplicación del menú de recetas personalizadas de Bradley, acceda a:

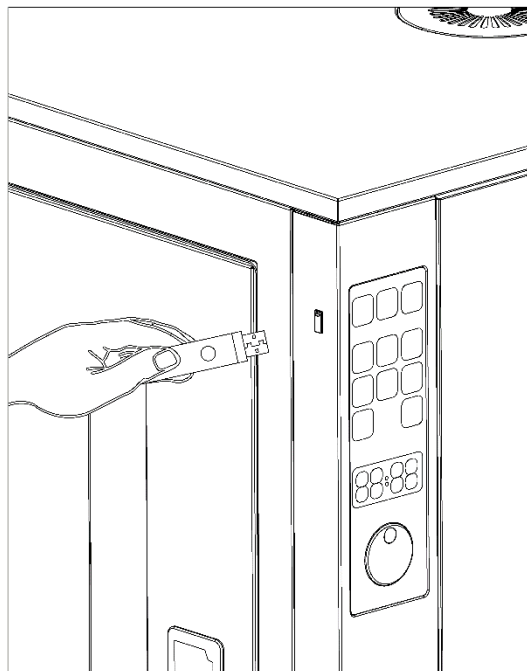
<https://www.bradleysmoker.com/bs1019-custom-recipes>

El puerto USB de la unidad está diseñado para cargar recetas y actualizar el software del ahumador solamente.
NO CONECTARLO A LOS PUERTOS USB DE LOS ORDENADORES NI SUMINISTRAR ENERGÍA A NINGÚN OTRO DISPOSITIVO.

Hacerlo podría causar una sobrecarga o un mal funcionamiento de este producto.

ACTUALIZACIÓN DEL FIRMWARE

Acceda a <https://www.bradleymoker.com/product/2019-digital-5-rack-smoker/> (desplácese a la pestaña de Firmware) y descargue la última actualización del firmware y guárdela en una unidad flash USB.



Siga estos pasos:

1. Asegúrese de que el ahumador esté ENCENDIDO
 2. Inserte la unidad flash USB que contiene el archivo .bin descargado.
 3. Toque y mantenga presionado el botón de receta durante 3 segundos, sonará el zumbador y el fumador leerá la unidad flash.
 4. Durante este proceso de actualización, la pantalla mostrará EEEE.
 5. Cuando se complete la actualización, el ahumador se reiniciará automáticamente.
 6. Una vez que se reinicia el ahumador, puede quitar la unidad flash.
 7. Inserte la cubierta protectora en la ranura USB.
 8. Para verificar la versión del software o confirmar que se ha instalado, APAGUE el ahumador.
 9. Mantenga presionado el dial giratorio mientras enciende el interruptor de alimentación principal en la parte posterior.
 10. La pantalla mostrará la versión actual del software.
- Todas las operaciones están deshabilitadas durante este período.
11. Para encender el ahumador normalmente nuevamente, apague el ahumador durante 3 segundos y luego vuelva a encenderlo.

**Nota: no apague el ahumador durante la actualización. La versión del software se muestra cada vez que se enciende el ahumador.*

El puerto USB de la unidad está diseñado para cargar recetas y actualizar el software del ahumador solamente.

NO CONECTARLO A LOS PUERTOS USB DE LOS ORDENADORES NI SUMINISTRAR ENERGÍA A NINGÚN OTRO DISPOSITIVO.

Hacerlo podría causar una sobrecarga o un mal funcionamiento de este producto.

ANTES DE LLAMAR

Antes de llamar al servicio de atención al cliente, visite la página de asistencia de Bradley en: <https://www.bradleysmoker.com/product/2019-digital-5-rack-smoker/> (desplácese hasta la pestaña de Asistencia)

Lea este manual para obtener información sobre la resolución de problemas. Consulte la página de "Garantía" para obtener más información.

Para contactar con un representante de atención al cliente, tenga a mano el número de modelo y el número de serie antes de llamar. El modelo y el número de serie se pueden encontrar en la caja de envío o en la parte delantera del manual o en la parte posterior del gabinete del ahumador.

Somos conscientes de que ha realizado una inversión considerable y estamos dedicados a ofrecerle asistencia para que su ahumador dure muchos años.









No dude en ponerse en contacto con nuestro servicio de atención al cliente si tiene cualquier pregunta o en el caso poco probable de que su Bradley Smoker necesite una reparación. Estaremos encantados de atenderle.

Conserve sus facturas para la validación de la garantía si necesita una reparación.




Para obtener información sobre la garantía y el servicio de atención al cliente, llame al: 1 866-508-7514 (n.º gratuito)

RESOLUCIÓN DE PROBLEMAS

CÓDIGOS DE ERROR

Códigos de error	Significado del error	Principal y solución
	FALLO DEL CALENTADOR	<p>Cuando el aumento de la temperatura del gabinete sea inferior a 8 grados, durante un período de 5 minutos, y la temperatura interna es inferior al 80 % del valor del punto de ajuste, el código de error se mostrará con una alarma audible.</p> <p>El indicador de calentamiento  parpadeará. Pulse el dial giratorio para cancelar la alarma. Sustituya el calentador defectuoso. Véase la pág. 23</p>
	FALLO DEL QUEMADOR DE BISQUETTES	<p>Si la temperatura del quemador es inferior a 100 grados y ha aumentado menos de 3 grados en un período de 1 minuto, el código de error se mostrará con una alarma sonora.</p> <p>El indicador del tiempo de ahumado  parpadeará. Pulse el dial giratorio para cancelar la alarma. Cambie el calentador defectuoso. Véase la pág. 24.</p>
	REVISE SU AHUMADOR; BISQUETTES ATASCADOS	<p>Cuando no se haya detectado la rotación de la plataforma giratoria en 1 minuto, la plataforma girará durante 10 segundos e intentará avanzar nuevamente. Después de 3 intentos consecutivos, el código de error se mostrará con una alarma sonora. Pulse el dial giratorio para cancelar la alarma. Extraiga el bisquette atascado.</p>
	¡EL HORNO ESTÁ DEMASIADO CALIENTE! REVISE EL HORNO	<p>En el improbable caso de que la temperatura interna del gabinete alcance los 180 °C/356 °F, el indicador de calentamiento , junto con los calentadores, se apagarán y el código de error se mostrará con una alarma sonora. La alarma solo puede cancelarse cuando la temperatura haya descendido por debajo de 170 °C/338 °F, presionando el dial giratorio.</p>
	ERROR DEL SENSOR DE TEMPERATURA DEL GABINETE	<p>Cuando el ahumador detecta el fallo del sensor o pierde la conexión con este, el código de error se mostrará con una alarma audible. Pulse el dial giratorio para cancelar la alarma. Compruebe el sensor y sus conexiones. Para reemplazar el sensor, vea la página 25</p>

Para ayudarle mejor con la resolución de problemas, su ahumador tiene integrado un sistema de mensajería que muestra la causa probable de los códigos de error.

	<p>FALLO DEL SENSOR DE TEMPERATURA DEL QUEMADOR DE BISQUETTES</p>	<p>Cuando el ahumador detecta el fallo del sensor o pierde la conexión con este, el código de error se mostrará con una alarma audible. Pulse el dial giratorio para cancelar la alarma. Compruebe el sensor y sus conexiones. Para reemplazar el sensor, vea la página 24</p>
 	<p>SONDA PARA CARNE 1/2 NO CONECTADA</p>	<p>Cuando el ahumador detecta el fallo de la sonda o pierde la conexión con él durante el proceso, el código de error se mostrará con una alarma sonora. Pulse el dial giratorio para cancelar la alarma. Compruebe el sensor y sus conexiones <i>*Nota: si el sensor no está conectado antes de comenzar el proceso de ahumado, no se mostrarán alarmas.</i></p>
	<p>SONDA PARA CARNE 1 CONECTADA INCORRECTAMENTE</p>	<p>Cuando el sistema detecte la resistencia parcial de la sonda, se mostrará el mensaje. Desconecte y vuelva a conectar la sonda correctamente.</p>
	<p>SONDA PARA CARNE 2 CONECTADA INCORRECTAMENTE</p>	<p>Cuando el sistema detecte la resistencia parcial de la sonda, se mostrará el mensaje. Desconecte y vuelva a conectar la sonda correctamente.</p>
	<p>TODOS LOS CONTROLES SE HAN DESHABILITADO. CIERRE LA PUERTA ANTES DE CONTINUAR LA OPERACIÓN</p>	<p>Cuando la puerta del gabinete se abra, se mostrará el mensaje. El gabinete continúa funcionando según lo programado, pero todos los controles se desactivarán. Después de cerrar la puerta, todas las funciones volverán a estar disponibles y se mostrará la temperatura interna del gabinete.</p>

Cuando la comida haya alcanzado el punto de ajuste o haya pasado el tiempo, la pantalla mostrará lo siguiente:

Mensaje en la pantalla	Acciones del ahumador
Sonda de temperatura para comida 1 indicador parpadeante	Solo pitido
Sonda de temperatura para comida 2 indicador parpadeante	Solo pitido
Indicador de tiempo parpadeante	Pitido y todos los calentadores se apagarán

REPARACIONES RÁPIDAS

Solo un técnico autorizado puede trabajar en reparaciones eléctricas en este electrodomésticos. Bradley Smoker Inc. no acepta ninguna responsabilidad en relación con ningún fallo o daño causado por reparaciones eléctricas inadecuadas.

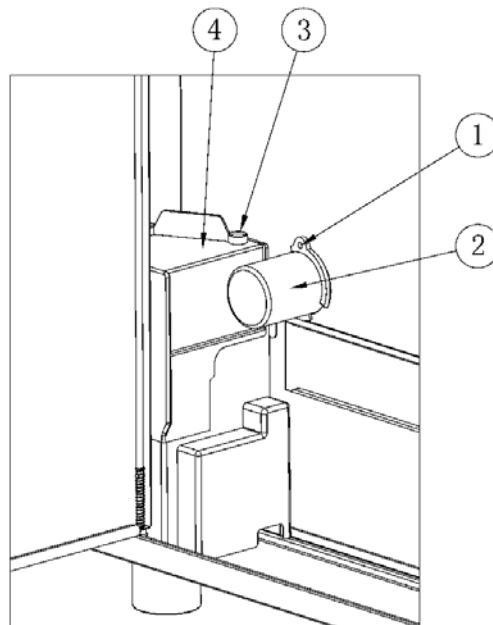
Sustitución del calentador principal



Este error se produce cuando uno de los elementos o ambos no suministran calor al gabinete. El sistema operativo compara el punto de ajuste objetivo con la temperatura real. Si la temperatura es 8 grados menor que un objetivo, se mostrará y sonará la alarma.

Para cambiar el calentador, siga estos pasos:

1. Apague el interruptor de alimentación. Consulte la ubicación del interruptor (9) en la página 7
2. Desconecte el cable de alimentación de la toma eléctrica.
3. Elija un tiempo adecuado para enfriar el ahumador después de usarlo
4. Retire el tornillo philips (1) ubicado en la parte superior de la cubierta del calentador (2)
5. Gire la tapa del calentador (2) en sentido contrario a las agujas del reloj y tire de ella suavemente
6. Desconecte el cable eléctrico del calentador
7. Extraiga el calentador de su zócalo



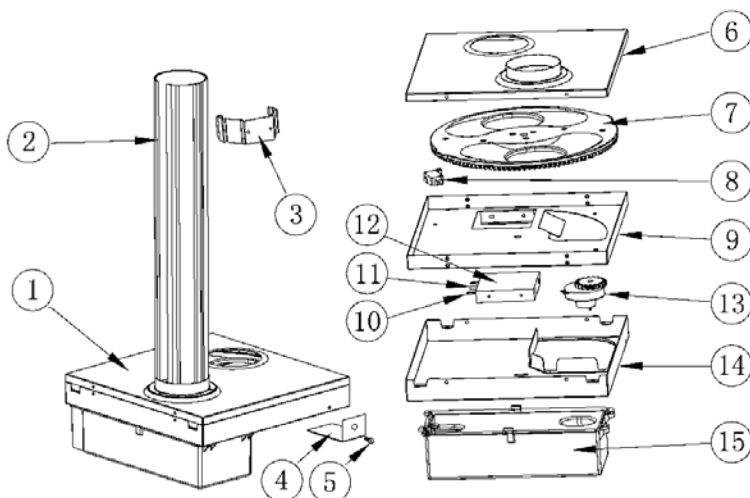
REPARACIONES RÁPIDAS

Solo un técnico autorizado puede trabajar en reparaciones eléctricas en este electrodomésticos. Bradley Technologies Canada Inc. no acepta ninguna responsabilidad en relación con ningún fallo o daño causado por reparaciones eléctricas inadecuadas.



Sustitución del quemador de bisquettes y del sensor del quemador

Este error se produce cuando uno de los elementos o ambos no suministran calor al quemador de bisquettes. Si la temperatura del quemador es inferior a 100 grados o ha aumentado menos de 3 grados en 1 minuto, se mostrará y sonará la alarma.



1. Montaje del dispensador de bisquettes
2. Tubo de alimentación
3. Soporte para tubo de alimentación
4. Riel deslizante
(ubicado dentro del gabinete del ahumador)
5. Tornillo de fijación
6. Tapa del dispensador de bisquettes
7. Plataforma giratoria
8. Interruptor de posicionamiento
9. Placa media del dispensador de bisquettes
10. Calentadores de bisquettes
11. Sensor del quemador de bisquettes

12. Placa del quemador de bisquettes
13. Motor de accionamiento
14. Placa inferior del dispensador de bisquettes
14. Controlador del quemador. Para cambiar el calentador*, siga estos pasos:
 1. Apague el interruptor de alimentación. Consulte la ubicación del interruptor (9) en la página 7
 2. Desconecte el cable de alimentación de la toma eléctrica.
 1. Elija un tiempo adecuado para enfriar el ahumador después de usarlo
 2. Retire los bisquettes y el tubo de bisquettes (2)
 5. Para aflojar el conjunto de bisquettes, retire el tornillo Philips (5) que se encuentra en el gabinete (página 9)
 6. Para retirar la cubierta de los cables (4), retire el tornillo Philips (3) que se encuentra en el gabinete lateral (página 23)
 7. Tire de la cubierta de los cables verticalmente
 8. Desconecte 2 conectores del mazo de cables
 9. Tire suavemente del conjunto del dispensador de bisquettes
 10. Retire el controlador del quemador (15)
 11. Quite los 4 tornillos inferiores que conectan la placa intermedia del dispensador de bisquettes (9) y la placa inferior (14)
 12. Desconecte los cables del calentador de bisquettes (10) y el cable del sensor (11)
 13. Afloje los 4 tornillos que sostienen la placa del quemador de bisquettes y quítela.
 14. Afloje el sensor del quemador de bisquettes, quite el tornillo que lo sujeta y extraiga suavemente el sensor.

**NOTA Este procedimiento también se aplica al cambiar el motor de accionamiento (13). Para cambiar el interruptor de posicionamiento (8), afloje los 4 tornillos de la cubierta del dispensador de bisquettes (6). Quite la tapa para acceder al interruptor (8)*

REPARACIONES RÁPIDAS

Solo un técnico autorizado puede trabajar en reparaciones eléctricas en este electrodomésticos. Bradley Technologies Canada Inc. no acepta ninguna responsabilidad en relación con ningún fallo o daño causado por reparaciones eléctricas inadecuadas.

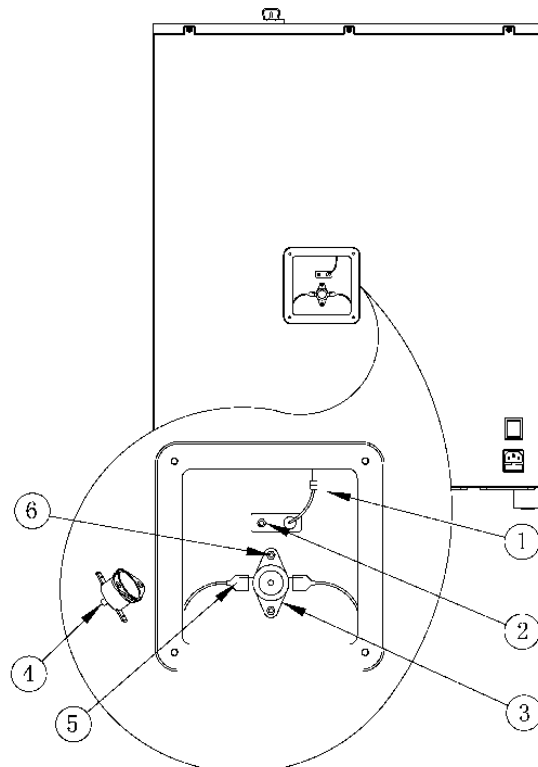
Sustitución del sensor de gabinete y del interruptor del límite alto de la temperatura



Cuando el ahumador detecta el fallo del sensor o pierde la conexión con este, el código de error se mostrará con una alarma audible. Pulse el dial giratorio para cancelar la alarma. Compruebe el sensor y sus conexiones.

Para cambiar el sensor del gabinete, siga estos pasos:

1. Apague el interruptor de alimentación. Consulte la ubicación del interruptor (9) en la página 7
2. Desconecte el cable de alimentación de la toma eléctrica.
3. Elija un tiempo adecuado para enfriar el ahumador después de usarlo
4. Quite todas las parrillas del ahumador
5. Retire los 4 tornillos philips que sujetan la placa de la cubierta del sensor. Véase n.º 11 en la página 7
6. Quite la tapa y la pieza de aislamiento que cubre el sensor
7. Desconecte el conector del cable del sensor (1)
8. Quite el tornillo philips (2) de la parte interior del gabinete que sostiene el sensor y reemplace el sensor
9. El interruptor del límite de alta temperatura (3) está justo debajo del sensor de temperatura.
10. Se puede restablecer presionando el botón central del interruptor (4)
11. Para sustituir el interruptor, desconecte los cables (5) a cada lado del interruptor y quite los 2 tornillos philips (6)



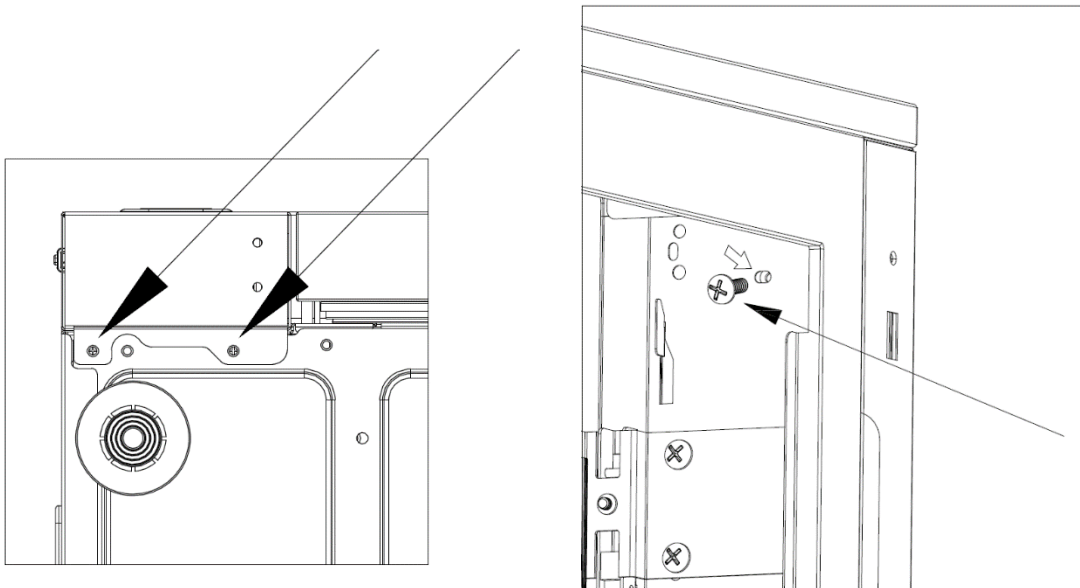
REPARACIONES RÁPIDAS

Solo un técnico autorizado puede trabajar en reparaciones eléctricas en este electrodomésticos.
Bradley Technologies Canada Inc. no acepta ninguna responsabilidad en relación con ningún fallo o daño causado por reparaciones eléctricas inadecuadas.

Sustitución del panel de la pantalla de control

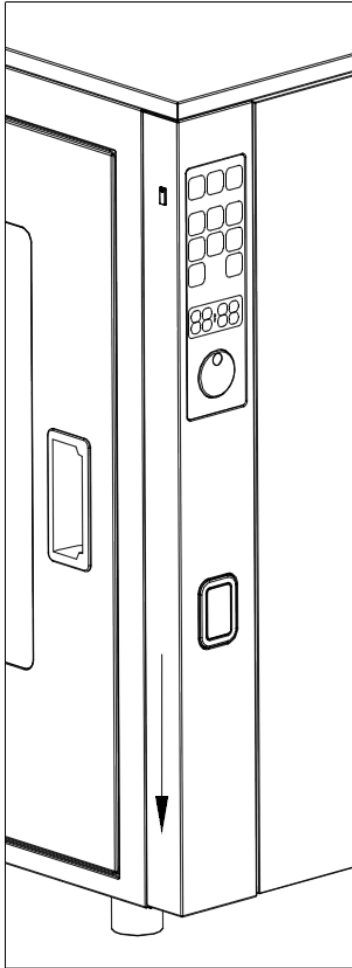
Cuando deba sustituir una pantalla defectuosa, siga estos pasos:

1. Apague el interruptor de alimentación. Consulte la ubicación del interruptor (9) en la página 7
2. Desconecte el cable de alimentación de la toma eléctrica.
3. Elija un tiempo adecuado para enfriar el ahumador después de usarlo
4. Quite todas las parrillas, cuencos y la bandeja de viaje
5. Quite el tubo de alimentación y los bisquettes del interior
6. Sitúe el ahumador boca abajo sobre una superficie plana y nivelada
7. Quite los 2 tornillos de la placa de fijación inferior (vea la ilustración a continuación)
8. Abra la puerta lateral y retire el tercer tornillo (vea la ilustración a continuación)



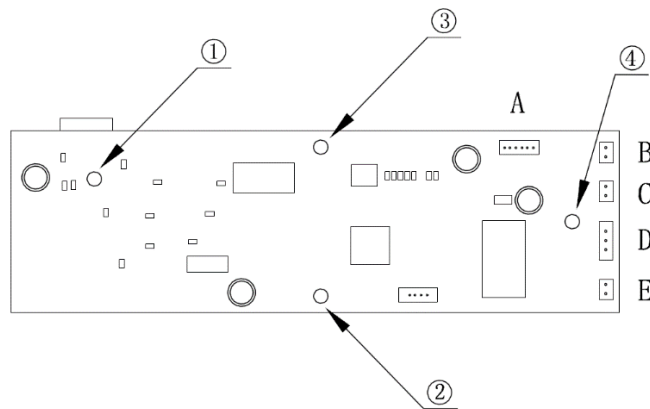
Continúa en la página 27

Viene de la página 26



9. Presione hacia abajo el botón de la puerta y aplique suavemente un movimiento descendente a todo el panel vertical metálico hasta que se suelte.

Véase la ilustración abajo a la izquierda



Véase la ilustración de la placa de circuitos arriba a la derecha

10. Desconecte suavemente todos los enchufes de los cables uno por uno y déjelos a un lado.
 - A. mazo de cables principal
 - B. sonda para carne 1
 - C. sonda para carne 2
 - D. cable del sensor de temperatura del gabinete
 - E. cable del interruptor de la puerta
11. Quite los tornillos philips (1 - 4) que sostienen la placa de la pantalla
12. Quite con cuidado la placa de su ubicación.
13. Mientras quita la placa, vigile que el puerto USB no se atasque detrás del borde del panel
14. Vuelva a instalar la nueva pantalla siguiendo el orden inverso de los pasos descritos anteriormente.

ESPECIFICACIONES ELÉCTRICAS

Tensión nominal	110 / 220 - 240 VCA <i>(específico del país, por defecto de fábrica)</i>
Frecuencia nominal	50/60 Hz
Potencia nominal	1000 W
Calentador principal	2 x 400W
Quemador de bisquettes	2 x 100 W

CAPACIDADES

Volumen interno	76 L
Parrillas totales	Capacidad para 5 parrillas (se incluyen 4)
Área de cocción	5 x 0.13 m ² /5 x 201.6 pulgadas ²

ESPECIFICACIONES DE FUNCIONAMIENTO

ESPECIFICACIONES DE TIEMPO DE COCCIÓN

Rango del tiempo de cocción ajustable	0-10 hrs
Incremento ajustable del tiempo de cocción	10 min

ESPECIFICACIONES DEL TIEMPO DE AHUMADO

Rango ajustable del tiempo de ahumado	00:20-9:40 hrs
Incremento ajustable del tiempo de ahumado	20 min

ESPECIFICACIONES DE LA TEMPERATURA DE FUNCIONAMIENTO

Rango de temperatura interna de funcionamiento del ahumador	30-160 °C/86-320 °F
Incremento ajustable del rango interno del ahumador	1°C/1 o 2°F
Rango de temperatura de funcionamiento exterior	-9 - a +50 °C/15.8-122 °F

** Nota: no maneje el electrodoméstico fuera de esos parámetros, ya que pueden producirse daños permanentes.*

**Nota: se mostrará COLD en la pantalla cuando la temperatura alcance menos de -10/14 °F
El ahumador no se encenderá.*

ESPECIFICACIONES DE FUNCIONAMIENTO DE LA SONDA PARA CARNE

Rango de temperatura objetivo ajustable cuando está conectado al ahumador	30-100/86-212 °F
Incremento de rango ajustable	1 °C/1 o 2 °F
Rango de medición interna de alimentos	0-100 °C/32-212 °F

**Nota: las sondas para carne no deben lavarse en el lavavajillas.*

**Nota: se recomienda dejar las sondas conectadas en todo momento.*

GARANTÍA

Bradley Smoker lleva consigo una garantía limitada de 1 año contra defectos de fabricación.

Requisitos y limitaciones:

La garantía entra en vigor a partir de la fecha de compra. Guarde su factura como comprobante de la fecha de compra. La garantía se limita a la reparación o sustitución de la pieza según lo determine Bradley Technologies Inc.

Bradley Technologies Inc., a su entera discreción, proporcionará una pieza de repuesto para cualquier componente que Bradley Technologies Inc. considere defectuoso, y no será responsable de ningún reensamblaje.

Esta garantía limitada es personal e intransferible. La garantía cubre únicamente los defectos del fabricante. Esta garantía limitada no le reembolsará el coste de ningún inconveniente, alimento, lesiones personales o daños a la propiedad.

La garantía es válida solo en el país de compra original. Los gastos de envío y de manipulación son responsabilidad del consumidor/comprador original de todos los pedidos de piezas fuera de garantía. El número de serie del ahumador se debe proporcionar en todas las reclamaciones de garantía. Bradley Technologies excluye de su garantía lo siguiente:

Los defectos, daños resultantes de accidentes, abuso, mal uso, instalación de montaje incorrecta o el vandalismo no están cubiertos. Los daños resultantes de las condiciones climáticas como granizo, huracanes, tornados, terremotos, viento, lluvia o nieve no están cubiertos.

No se cubrirá el desgaste normal, el astillado ni la rayadura en los acabados de la superficie. Esta garantía no cubre la decoloración por exposición a la luz solar, calor o productos químicos. Cualquier modificación de los componentes o condiciones originales del ahumador anularán esta garantía.

No realizar un mantenimiento regular, las verificaciones de seguridad y de mantenimiento, como la eliminación de la acumulación de grasa que provoque un incendio repentino, o el daño causado por los incendios originados por la grasa, no está cubierto por esta garantía.

Para garantizar su satisfacción y para un mejor servicio de seguimiento, registre su ahumador en línea en: www.bradleysmoker.com

Para obtener información sobre la garantía y el servicio de atención al cliente, llame al: 1 866-508-7514 (n.º gratuito)

Desechado correcto de este artículo



Este símbolo indica que este producto no debe desecharse junto con otros residuos domésticos dentro la UE. Para evitar posibles daños al medio ambiente o a la salud humana derivados de la eliminación incontrolada de residuos, recicle el electrodoméstico de manera responsable para fomentar la reutilización sostenible de recursos materiales. Para devolver su electrodoméstico usado, por favor utilice los sistemas de devolución y recogida o contacte con la tienda donde compró el producto. Ahí podrán reciclarlo de manera segura para el medio ambiente.

Benutzerhandbuch



Bradley Professional Series 5-Rost-Digital-Räucherofen

120 V – BS1019

220 - 240 V – BS1019CE



Bradley Technologies Inc.

1-866-508-7514

info@bradleysmoker.com

www.bradleysmoker.com

Printed in China / Imprimé en Chine / Impreso en China / Gedruckt in China

August 2021/ Août 2021/ Agosto de 2021/ August 2021

Liebe Kunden,

Revolutionäre Räuchertechnologie für Heimköche und Heimköchinnen

Herzlich willkommen zur wunderbaren Erlebniswelt des Hobbyräucherns und Schongarens. Der Bradley Smoker ist ein isolierter Räucherofen, dessen Konstruktion eine gleichmäßige Zirkulation von sauberem Rauch ermöglicht. Als Elektrogerät für den Außengebrauch eignet er sich zum Garen, Braten, Heiß- und Kalträuchern (unter Zusatz von Eis) von Lebensmitteln und liefert konstant beste Ergebnisse bei minimalem Aufwand.

Was ihn besonders auszeichnet ist sein Rauch, der viermal sauberer ist, als herkömmliche Brennpfannenspäne* oder Holz-Pellets ihn erzeugen. Da die abgebrannten Bisquetten automatisch gelöscht werden, wird so der Bildung von heißen Gasen und Säuren vorgebeugt. Außerdem entspricht der Bradley Smoker sowohl US- als auch EU-Sicherheitsvorgaben für Elektrogeräte.

Verschiedene Hölzer sind in Form der Bradley Aromabisquetten für Ihren Räucherofen erhältlich: Erle, Apfelbaum, Kirschbaum, Hickory, Ahorn, Mesquite, Eiche, Pecannuss, Special Blend und Whiskey-Eiche. Rezepte und Ideen finden Sie in der beigefügten Broschüre sowie auf unserer Internetseite: www.bradleysmoker.com.

Außerdem möchte ich Ihnen unsere Bradley Rezeptsammlung, Bradley Jerky Roste, Bradley Original-Roste, Wursthaken, Wetterschutzhüllen, Mützen, Schürzen und das Bradley Digitalthermometer mit Fleischsonde empfehlen, mit dem das Erraten der richtigen Gartemperatur endlich der Vergangenheit angehört.

Ich wünsche Ihnen für die Zukunft wunderbare Koch- und Räuchererlebnisse.

Herzlichst
Wade Bradley



**Basierend auf Untersuchungen und Tests des British Columbia Institute of Technology.*

Inhaltsverzeichnis

- ✓ Sicherheit..... Seite 4–5
- ✓ Allgemeine Wartungshinweise Seite 6
- ✓ Externe Bauteile Seite 7
- ✓ Interne Bauteile Seite 8–9
- ✓ Montageanleitung Seite 10
- ✓ Das erste Mal Würzen Seite 11
- ✓ Bedienungsanleitung Seite 12
- ✓ Optimaler Gebrauch Seite 13
- ✓ Anzeigefunktionen Seite 14–18
- ✓ Firmware-Update Seite 19
- ✓ Bevor Sie uns anrufen Seite 20
- ✓ Fehlersuche Seite 21–22
- ✓ Schnellreparaturen Seite 23–27
- ✓ Technische Daten Seite 28
- ✓ Garantie Seite 29

WICHTIGE SICHERHEITSHINWEISE

BITTE AUFBEWAHREN

Anleitung vor Gebrauch vollständig durchlesen

Grundlegende Sicherheitsvorkehrungen

- Lesen Sie sich die Montageanleitung sorgfältig durch, um den Räucherofen in Betrieb zu nehmen.
- Berühren Sie keine heißen Oberflächen. Verwenden Sie Griffe oder Knäufe.
- Dieses Gerät kann von Kindern ab 8 Jahren und von Personen mit eingeschränkten körperlichen, sensorischen oder geistigen Fähigkeiten oder mangelnden Erfahrungen und Kenntnissen verwendet werden, wenn diese beaufsichtigt werden oder Anleitung für den sicheren Gebrauch des Gerätes erhalten haben und sie die damit verbundenen Gefahren verstehen.
- Kinder dürfen nicht mit dem Gerät spielen. Die Reinigung und Wartung sind nicht von Kindern ohne Aufsicht durchzuführen.
- Zum Schutz vor einem Stromschlag lassen Sie Kabel sowie Anschlüsse niemals in Wasser oder anderen Flüssigkeiten hängen.
- Haushaltsgeräte sollten von oder in der Anwesenheit von Kindern nur unter genauer Aufsicht verwendet werden. Anderenfalls riskieren Sie Verbrennungen oder Verletzungen der Kinder.
- Es liegt in der Verantwortung der Eltern oder Erziehungsberechtigten, für die Sicherheit der Kinder im Umgang mit Haushaltsgeräten und deren fachgerechter Anleitung zu sorgen.
- Bei Nichtgebrauch und vor dem Reinigen Netzstecker ziehen. Vor jeglicher Demontage abkühlen lassen.
- Haushaltsgeräte mit beschädigten Kabeln oder Anschlüssen sowie Defekten oder Beschädigungen sollten nicht weiterverwendet werden.
- Der Hersteller rät von der Befestigung von Zubehörhaltern ab, da dies zu Verletzungen führen kann.
- Lassen Sie den Räucherofen in seinem Lieferzustand. Jegliche bauliche Änderung des Geräts führt zum Erlöschen der Garantie. Kabel dürfen weder über Tischkanten oder Arbeitsflächen hängen noch mit heißen Oberflächen in Kontakt kommen.
- Das Gerät darf nicht auf oder in der Nähe von heißen Gas- oder Elektroherden, Öfen oder Grills aufgestellt werden.
- Geräte, die heißes Öl oder andere heiße Flüssigkeiten beinhalten, nur mit äußerster Vorsicht bewegen.
- Immer zuerst den Stecker mit dem Gerät und dann das Kabel mit der Steckdose verbinden. Zum Trennen zuerst alle Schalter auf „aus“ stellen und dann den Stecker aus der Steckdose ziehen.
- Das Gerät darf nur bestimmungsgemäß verwendet werden.
- Verwenden Sie ausschließlich Bradley Aromabisquetten® als Brennmittel.
- Der Räucherofen sollte mit Vorsicht angehoben und bewegt werden, um Überlastungen und Rückenverletzungen zu vermeiden.
- Seien Sie achtsam, wenn Sie in oder hinter den Räucherofen greifen.
- Das Aufstellen eines Feuerlöschers in Nähe des Räucherofens wird empfohlen. Wenden Sie sich an die zuständigen Behörden, um die passende Größe und Art des Feuerlöschers zu ermitteln.
- Beim Verwenden eines Verlängerungskabels ist darauf zu achten, dass die Nennbelastbarkeit des Kabels mindestens der Geräteleistung entspricht.
- Das Kabel sollte so verlegt werden, dass es nicht von Tischkanten oder Arbeitsflächen herunterhängt, damit keine Kinder daran ziehen können und versehentliches Stolpern vermieden wird.
- Ist ein Verlängerungskabel erforderlich, sollte nur ein zertifiziertes Hochleistungskabel mit einer Länge von höchstens 1,85 m zum Einsatz kommen.
- Nur Verlängerungskabel für den Außeneinsatz sollten für entsprechende Außengeräte verwendet werden. Solche Kabel verfügen über das Kürzel „IP 44“ und sind vor Feuchtigkeit und Wasser geschützt.
- ACHTUNG: Stromschlaggefahr. Halten Sie den Anschluss zur Verlängerung trocken und vom Boden fern.
- Entsorgen Sie Verpackungsmüll ordnungsgemäß.
- Gehen Sie bei der Montage, Bedienung, Verstellung und Reinigung des Räucherofen immer mit Vorsicht vor, da einige Kanten an Metallteilen scharfkantig sein können.

Zur Inbetriebnahme lesen Sie sich bitte die Aufbauanleitung auf Seite 10 sorgfältig durch.

FORTSETZUNG WICHTIGE SICHERHEITSHINWEISE

- Bei jeglicher Verwendung durch oder in der Nähe von Kindern ist eine genaue Überwachung erforderlich.
 - Gehen Sie beim Entfernen des Einschubfachs oder beim Entsorgen von heißem Fett äußerst vorsichtig vor.
 - Nicht mit Metall-Scheuerschwämmen reinigen. Teile des Schwamms könnten abreißen und in Kontakt mit elektrische Bauteilen kommen, wodurch die Gefahr eines Stromschlags besteht.
 - Übergroße Lebensmittel oder metallische Gegenstände dürfen nicht in den Smoker gelegt werden, da diese zu einem Brand oder einem Stromschlag führen können.
 - Es kann zu Feuer kommen, wenn der Smoker während des Betriebs abgedeckt ist oder in Kontakt mit brennbaren Materialien wie Vorhängen, Tuchwaren, Wänden und dergleichen kommt. Legen Sie während des Betriebs keine Gegenstände auf dem Gerät ab.
 - Bei der Verwendung von Behältern, die nicht aus Metall oder Glas bestehen, ist äußerste Vorsicht geboten.
 - Lagern Sie kein anderes als vom Hersteller empfohlenes Zubehör in diesem Smoker, wenn Sie ihn nicht verwenden.
 - Legen Sie keines der folgenden Materialien in den Smoker: Papier, Pappe, Kunststoff und dergleichen.
 - Decken Sie weder das Einschubfach noch andere Teile des Smokers mit Metallfolie ab. Dies führt zur Überhitzung.
-
- Schalten Sie das Gerät mit dem Schalter auf der Rückseite aus. *Siehe Seite 7*
 - Verwenden Sie das Gerät nicht, wenn es ein/en beschädigtes/en Kabel/Stecker hat oder nachdem es eine Fehlfunktion aufweist oder auf irgendeine Weise beschädigt wurde.
 - Senden Sie das Gerät zur Prüfung, Reparatur oder Regulierung an die nächstgelegene autorisierte Servicestelle.

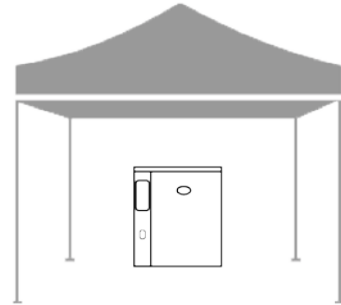
Netzkabelverlängerung

- Ein kurzes Netzkabel wird mitgeliefert, um das Risiko zu verringern, dass Sie sich in einem längeren Kabel verwickeln oder darüber stolpern.
- Längere Verlängerungskabel sind verfügbar und können benutzt werden, wenn bei ihrer Verwendung Achtsamkeit an den Tag gelegt wird.
- Wenn ein längeres Verlängerungskabel verwendet wird:
- Die gekennzeichnete elektrische Leistung des Verlängerungskabels sollte mindestens so hoch sein wie die des Geräts.
- Das Kabel sollte nicht über die Arbeits- oder Tischplatte verlaufen, wo Kinder an ihm ziehen könnten.
- oder ungewollt über es stolpern könnten.
- Das Kabelset oder Verlängerungskabel sollte ein 3-adriges Erdungskabel sein.

NUR FÜR DEN AUSSENGEBRAUCH

Warnung vor Kohlenmonoxid-Vergiftung

- Durch die Verwendung und Verbrennung von Bradley Aromabisquettes in diesem Gerät setzen sich Nutzer möglicherweise chemischen Stoffen wie Kohlenmonoxid aus. Bei mangelnder Lüftung steigt die Gefahr ernsthafter Erkrankungen bis hin zum Tod.
- Dieses Gerät hat die Feuchtigkeitsklasse IPX0. Um einen elektrischen Schlag zu vermeiden, darf es nur im Freien verwendet werden, wenn es geschützt ist und 3 m von Oberleitungen, Wänden oder Schienen entfernt ist. • Der überdachte Bereich muss gut durchlüftet und vor Regen und Wind geschützt sein.
- Der Räucherofen muss auf ebenem, festem und nicht entflammbarem Grund sowie abseits jeglicher brennbaren Konstruktion wie Dachtraufen oder Wandverkleidungen aufgestellt werden.
- Kinder müssen stets beaufsichtigt werden, um sicherzugehen, dass sie nicht mit dem Gerät spielen.
- Während des Gebrauchs wird das Gerät heiß.
- Achten Sie darauf, die Heizelemente im Inneren nicht zu berühren.
- ACHTUNG: Das Gerät und Zubehörteile können während des Gebrauchs heiß werden.
- Kinder sollten das Gerät ohne Beaufsichtigung weder reinigen noch warten.
- Dampfreiniger oder Hochdruckreiniger dürfen nicht verwendet werden.
- Verbinden Sie das Gerät nicht mit dem Stromnetz, bevor es nicht vollständig zusammengebaut ist.



Beim Gebrauch

Lassen Sie das Gerät nicht unbeaufsichtigt.

- Die Roste und die Auffangschale nicht mit Aluminiumfolie abdecken oder verschließen. Der Räucherofen könnte dadurch schwer beschädigt werden.
- Den Räucherofen bei Gebrauch nicht bewegen.
- Die Innentemperatur des Ofens darf 150 °C nicht übersteigen.
- Tragen Sie stets Ofenhandschuhe oder Ähnliches, um Ihre Hände vor Verbrennungen zu schützen. Tragen Sie keine zu lockere Kleidung und binden Sie langes Haar zusammen.
- Decken Sie den Ofen nicht mit dem Verpackungskarton ab.
- Verwenden Sie nur zertifizierte und geerdete Steckdosen.
- Regenwasser oder Schnee dürfen zu keinem Zeitpunkt mit dem Raucher in Berührung kommen.
- Um Rauch und Kohlenstoffmonoxid zu vermeiden, verwenden Sie das Gerät nie in Innenräumen und stets in gut gelüfteten Umgebungen.
- Um die Gefahr von Stromschlägen zu vermeiden, verwenden Sie das Gerät unter einer Überdachung oder einem Pavillon. Nicht bei Gewittern, stürmischen Bedingungen oder Regen oder Schnee verwenden. • Nicht in der Nähe von Benzin, anderen Brennstoffen, Gasen oder brennbaren Dämpfen verwenden. • Nicht in Wasser tauchen.

Alle 2 bis 3 Stunden abgebrannte Holzbisquettes aus Wasserbehälter schütten und mit frischem Wasser auffüllen

Nach jedem Gebrauch

- Bei Nichtgebrauch Netzstecker ziehen. Siehe „Allgemeine Wartungshinweise“ auf Seite 6.
- Gelöschte Bradley Aromabisquettes® abseits von Gebäuden und brennbaren Stoffen aufbewahren.
- Räucherofen an einem trockenen überdachten Ort außerhalb der Reichweite von Kindern lagern.
- Von Fett reinigen. Fettreste können zu Bränden führen.
- Reinigen Sie dieses Gerät nicht mit Dampf oder Strom.

Allgemeine Wartungshinweise

Siehe Liste und Abbildungen der externen und internen Bauteile auf Seite 7–9

Wichtige Sicherheitsvorkehrungen

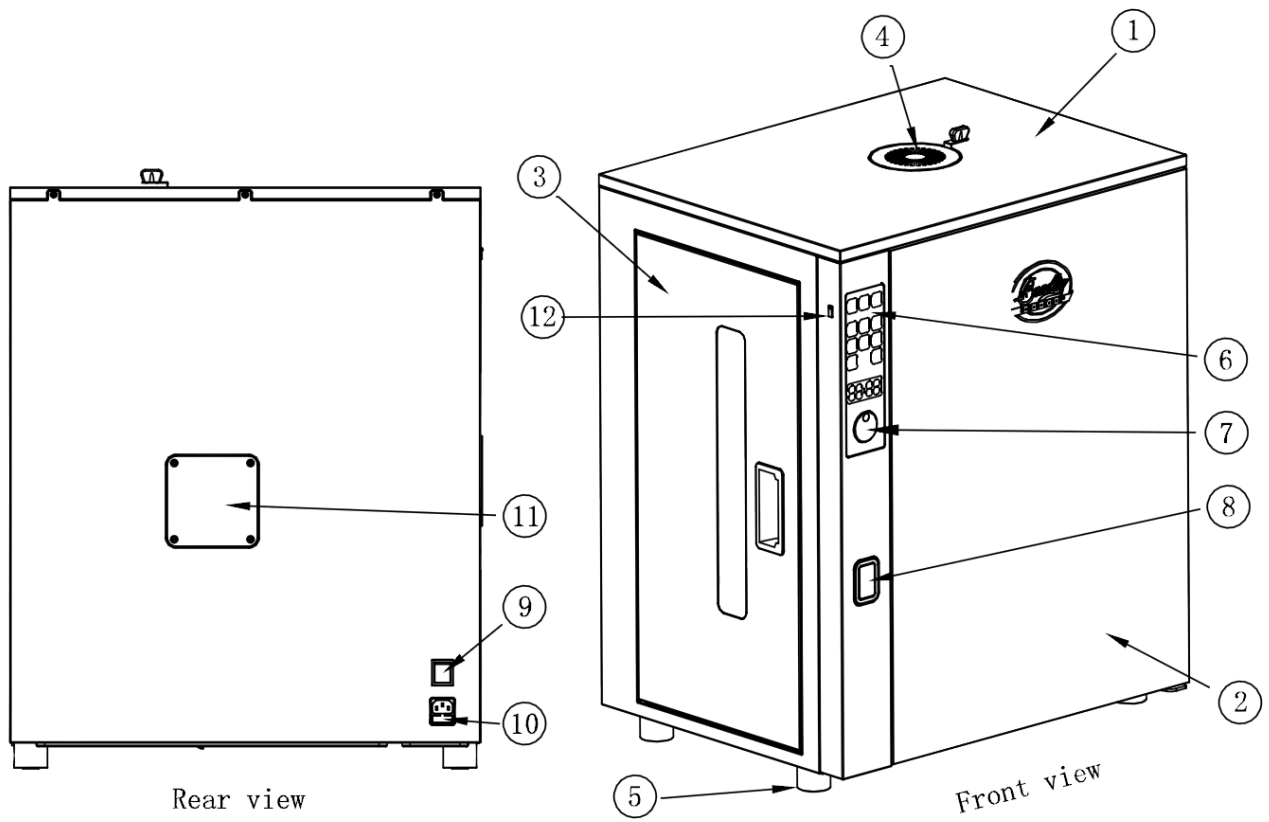
- Beachten Sie bei der Wartung die Vorsichtsmaßnahmen.
- Der Bradley Smoker muss nach jedem Gebrauch gewartet und gereinigt werden.
- Vor jeglicher Wartung oder Reinigung das lange Netzkabel aus der Steckdose ziehen.
- Räucherofen nicht in Wasser tauchen.
- Keinerlei Reinigungsmittel für Haushaltsgeräte ins Innere des Räucherofens sprühen.
- Roste oder Auffangschale nicht mit Aluminiumfolie abdecken oder verschließen. Der Räucherofen kann dadurch schwer beschädigt werden.
- Während des Gebrauchs nicht unbeaufsichtigt lassen.
- Den Räucherofen nicht mit übermäßig viel Wasser einsprühen oder reinigen. Verwenden Sie lieber ein feuchtes Tuch.

Wartungsschritte

- Das lange Netzkabel entfernen, bevor Sie den Raucherzeuger aus dem Räucherofen entnehmen.
- Den Räucherofen stets mit Vorsicht bedienen und reinigen, da manche Metallteile scharfkantig sein können.
- Wasserbehälter leeren. Alle abgebrannten Holzbisquetten vorsichtig entfernen, da diese noch heiß sein können.
- Roste, Auffang- und Fettschale mit heißem Wasser und Spülmittel oder im Geschirrspüler reinigen.
- Lebensmittelreste und Fett aus dem Räucherofen entfernen. Innenraum bei Bedarf mit feuchtem Tuch abwischen.
- *Hinweis: Die Innenseite der Kammer sollte mit Rauch oder schwarzen Rückständen bedeckt sein. Je mehr Verbrennungsrückstände, desto besser wird das Räuchergut schmecken.*
- Der Raucherzeuger sollte stets frei von Holzspänen und Fettresten sein. Sollte sich Holzspäne im Raucherzeuger befinden, einfach mit einem Staubsauger entfernen.
Siehe „Schnellreparaturen“ auf Seite 24 zum Entfernen des Raucherzeugers.
- Den Raucherzeuger vorsichtig mit einer Drahtbürste oder mit einem Schaber auskratzen, um mögliche Rückstände des Verbrennungsprozesses zu entfernen.
- Die Regulierklappe (auf der Oberseite des Ofens) reinigen, damit diese nicht klemmt.
- Die Türdichtung mit warmem Wasser und Spülmittel abwischen, um etwaige Rückstände und Lebensmittelreste zu entfernen.
- Die Fleischsonden mit einem warmen feuchten Handtuch abwischen, um etwaige Rückstände und Lebensmittelreste zu entfernen.
- **Achtung: Die Fleischsonden sind nicht spülmaschinenfest**

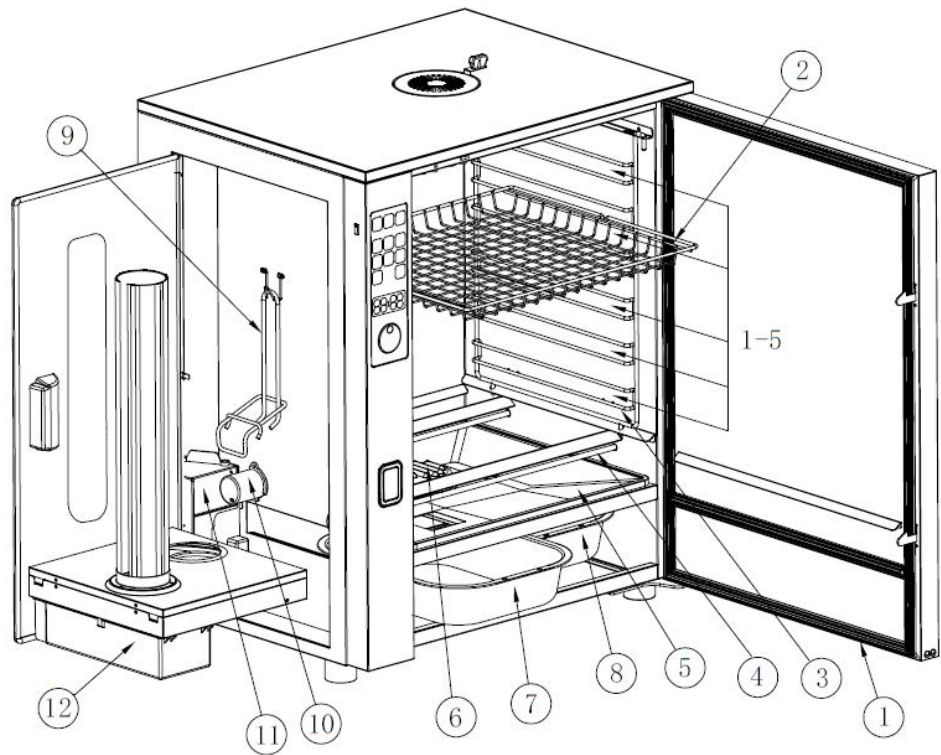
Nach dem Reinigen

- Roste, Auffangschale und restliche Behälter wieder in den Räucherofen einsetzen. Alle Teile sollten sauber und trocken sein.
- Raucherzeuger wieder in die Räucherkammer einsetzen.
- Stellen Sie sicher, dass das lange Netzkabel bei Nichtgebrauch abgezogen bleibt.



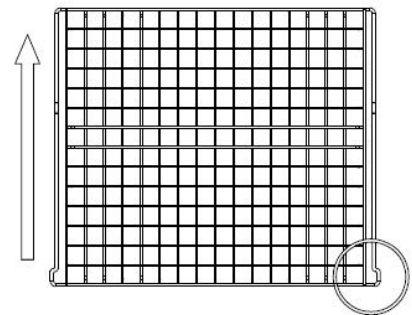
Externe Bauteile

1. Räucherkammer
2. Tür
3. (Seitliche) Tür Raucherzeuger
4. Regulierklappe Abzug
5. Füße
6. Bedienfeld
7. Drehknopf
8. Türöffner
9. Netzschalter
10. Netzanschluss
11. Abdeckung Sensor-Austausch
12. USB-Anschluss



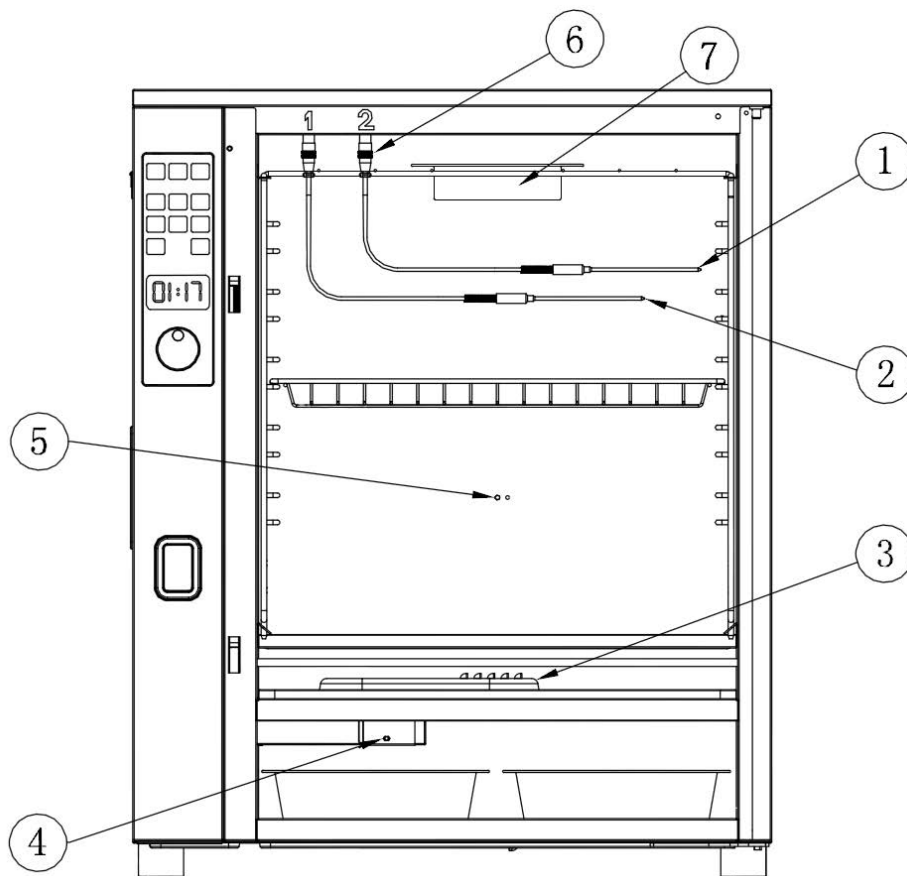
Richtige Verwendung von Grillrosten
 Grillroste dürfen nur in den dafür vorgesehenen
 Aufnahmeschlitzen (1–5) verwendet werden (siehe Zeichnung).

Wenn sie nicht richtig eingesetzt werden, ist der sichere Halt
 gefährdet und der heiße Rost kann schwere Verletzungen
 verursachen.



Interne Bauteile Räucherammer

1. Türdichtung
2. Garrost (4 Stück mitgeliefert)
3. Führungsschienen Garroste
4. Heizelement
5. Auffangschale
6. Rauchdiffusor
7. Wasserschale
8. Fettschale
9. Tragehaken
10. Entfernbare Heizelementabdeckung
11. Kabelstrang für entfernbare Abdeckung
12. Raucherzeuger



Interne Bauteile Räucherammer – Fortsetzung

- 1. Fleischsonde 1
- 2. Fleischsonde 2
- 3. Rauchdiffusor
- 4. Arretierungsschraube Raucherzeuger
- 5. Interner Temperatursensor
- 6. Anschlusskabel Fleischsonde
- 7. Kondenswasserschale mit gestell

Montageanleitung

Montage der 5-Rost Bradley BS1019 (CE) Professional Series Räucherammer

Räucherammer aus Verpackung nehmen.
Alle verpackten Einzelteile aus der Räucherammer nehmen.
Schutzverpackung von sämtlichen Teilen entfernen.
Räucherammer auf festen Untergrund, Ständer oder Tisch stellen.

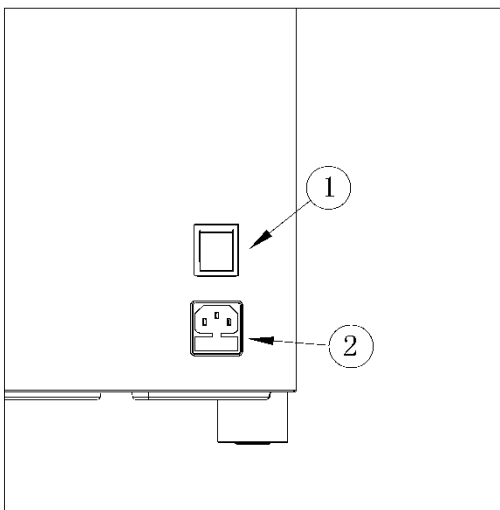
Kammertür öffnen und Schutzverpackung vollständig entfernen.
Kunststoffbefestigungen der Roste an den Führungsschienen entfernen.
Alle Roste, Auffangschale, Rauchabdeckung, Wasserschale und Fettschale entnehmen, um Räucherammer von Plastikresten zu befreien.
Nachdem alle Plastikreste und Verpackungen entfernt wurden, sämtliche Teile wieder einsetzen.

Entsorgung der Verpackung

Sämtlicher Verpackungsmüll ist gemäß den örtlichen Vorschriften zu entsorgen.
Der Verpackungskarton darf nicht als Abdeckung der ausgeschalteten Räucherammer verwendet werden.

Anschluss an Stromnetz – Reihenfolge beachten

1. Mitgeliefertes Netzkabel in den Anschluss auf der Geräterückseite stecken (2).
2. Anderes Ende des Netzkabels in die Steckdose stecken.
3. Netzschalter einschalten (1).



VORSICHT

UM EINEN KONSTANTEN SCHUTZ VOR STROMSCHLÄGEN
ZU GEWÄHRLEISTEN, NUR AN ORDNUNGSGEMÄSS
GEERDETE STECKDOSEN ANSCHLIESSEN

VORSICHT

VOR WARTUNG ODER REINIGUNG STETS NETZSTECKER
ZIEHEN
NICHT IN WASSER TAUCHEN / KEINEM REGEN
AUSSETZEN

Dieses Gerät entspricht den lizenzfreien RRS-Vorgaben von Industry Canada. Der Betrieb erfolgt unter den folgenden zwei Bedingungen: (1) Das Gerät darf keine elektromagnetischen Interferenzen erzeugen und muss (2) jegliche elektromagnetische Interferenz erlauben, auch wenn diese zu unerwünschten Aktivitäten des Gerätes führt.

Vorbereitung des Räucherofens zum Einfeuern

Das Einfeuern des Bradley Smokers® ist ein fortlaufender Prozess – je mehr Sie ihn nutzen, desto besser wird Ihr Räuchergut schmecken. Das Einfeuern dient vor allem dem Entfernen neutraler Gerüche aus Ihrem Räucherofen. Der Eigengeruch Ihres fabrikneuen Bradley Smokers® ist nicht unbedingt der beste Geschmack für Ihr Räuchergut.

Vorgehen zum Einfeuern:

Roste, Auffang-, Wasser- und Fettschale auswischen und wieder in den Räucherofen stellen. Füllen Sie die Auffangschale mit Wasser. Achten Sie darauf, nicht über den Füllstrich zu gießen.

Öffnen Sie die seitliche Tür und bestücken Sie das Füllrohr mit sechs Bradley Aromabisquetten®. Stecken Sie das Netzkabel auf der Rückseite des Räucherofens ein. Stecken Sie das andere Ende des Kabels in eine Steckdose. Die empfohlene Einfeuerungszeit beträgt zwei Stunden oder bis die Bisquetten abgebrannt sind.

Ihr Smoker wird bei einer Temperatur von 66 °C und zwei Stunden Brennzeit eingefeuert sein.

Schalten Sie den Netzschalter unten rechts auf der Rückseite des Räucherofens ein.

Siehe Bedienfeld-Elemente auf Seite 14.

Stellen Sie auf dem Bedienfeld die passende Räucher- und Garzeit sowie die Temperatur ein. Sobald das Einfeuern beendet ist, entsorgen Sie die abgebrannten Bisquetten. Der Räucherofen ist jetzt einsatzbereit.

**Hinweis: Jede Bisquette hat eine Brennzeit von 20 Minuten.
Öffnen Sie die Regelklappe auf der Oberseite der Räucherammer.*

Bedienungsanleitung

Erste Schritte

Wasserschale alle 2 bis 3 Stunden ausleeren und auffüllen.

Legen Sie das Räuchergut auf die Roste und schieben Sie diese in den Räucherofen.

Stellen Sie die Regelklappe auf die gewünschte Öffnung ein. Schließen Sie während des Räucherns die Regelklappe nie vollständig.

Schalten Sie den Räucherofen EIN, indem Sie den Einschaltknopf drücken.

Wählen Sie die gewünschten Temperaturen und Garzeiten (*siehe Bedienfeld-Elemente auf Seite 14–18*).

Hinweis: Um die genauen Gartemperaturen des Räucherguts zu erfassen, verwenden Sie die Fleischsonden.

Beachten Sie, dass Umgebungstemperatur und Windverhältnisse die Gartemperatur des Räucherofens beeinflussen.

„Achten Sie darauf, den Räucherofen nach jeder Verwendung zu reinigen.“

Kalträuchern:

- Verwenden Sie nur die Räucherfunktion.
- Öffnen Sie die Regelklappe vollständig.
- Bei zu hoher Umgebungstemperatur Eis verwenden, um die Innentemperatur bei 32 °C zu halten.

Um das Austreten von Tauwasser zu vermeiden, verpacken Sie die Eiswürfel in einen Kunststoff-Container oder eine verschließbare Plastiktüte und legen Sie das Eis auf den untersten Rost. Füllen Sie Eis nach, sobald es geschmolzen ist.

EIS NIE LOSE AUF DIE ROSTE LEGEN

ROSTE NIE VOLLSTÄNDIG MIT EIS BEDECKEN – RAUCHZIRKULATION WIRD EINGESCHRÄNK

Optimaler Betrieb Ihres Bradley Smokers

Mit einem Bradley Smoker gart man langsam und bei niedrigen Temperaturen. Nehmen Sie sich ausreichend Zeit und planen Sie im Voraus, da Ihr Räucherofen darauf ausgelegt ist, langsam und bei niedrigen Temperaturen zu garen. Mit dieser Technik erzielen Sie einen besseren Geschmack und ein besseres Aroma.

Überladen Sie die Roste nicht – lassen Sie immer ausreichend Platz, um eine adäquate Luftzirkulation zu gewährleisten, sonst wird der Rauch eingeschlossen und nicht die gesamte Räucherammer ausfüllen.

Um Lebensmittel gleichmäßig zu garen oder zu räuchern, empfiehlt es sich, die Roste von oben nach unten und von vorne nach hinten zu wechseln.

Räucherzeiten und Temperaturen hängen von folgenden Bedingungen ab:

- Umgebungstemperatur
- Menge an Räuchergut im Räucherofen
- Temperatur des Räucherguts
- Die angezeigten Temperaturen dienen nur als Richtwert.

Rauchabzug NIE vollständig schließen.

Wasserschale alle 2 bis 3 Stunden ausleeren und auffüllen.

Beim Garen und Räuchern von stark fetthaltigem Räuchergut stellen Sie ein Kuchenblech oder eine flache Schale direkt darunter, um soviel abtropfendes Fett wie möglich aufzufangen. Sie halten dadurch Ihren Bradley Smoker sauberer und verlängern seine Lebensdauer. Außerdem vermeiden Sie so die Gefahr eines Fettbrands.

Halten Sie den Räucherofen stets sauber, um seine Haltbarkeit zu erhöhen.

***Hinweis: Die Kabel der Fleischsonden sind nicht spülmaschinenfest.
Halten Sie die Kabel und Anschlüsse nicht in Wasser oder andere Flüssigkeiten,
da sie sonst dauerhaft beschädigt werden.***

Anzeigefunktionen



AN/AUS-SCHALTER KONTROLLLEUCHE



KINDERSICHERUNG KONTROLLLEUCHE



KAMMERHEIZUNG KONTROLLLEUCHE



TEMPERATURREGELUNG KNOFF



EINSTELLUNG DER GARZEIT KNOFF



EINSTELLUNG DER RÄUCHERZEIT KNOFF



BISQUETTENVORSCHUB KNOFF



FLEISCHSONDE 1 KNOFF



FLEISCHSONDE 2 KNOFF



PERSÖNLICHES REZEPT KNOFF



TEMPERATUR °F/°C KNOFF



VIERSTELLIGE ANZEIGE *



AUSWAHL- UND DREHKNOFF

**Hinweis: Ein graues Symbol bedeutet, dass sie deaktiviert sind*

Bedienfeldfunktionen erklärt



DREHKNOPF/AUSWAHL

Wählen Sie auf der Anzeige die zu ändernde Funktion.

Drehen im Uhrzeigersinn erhöht die Einstellungen auf der vierstelligen Anzeige.

Drehen gegen den Uhrzeigersinn verringert die Einstellungen auf der vierstelligen Anzeige.

Durch Drücken des Drehknopfes bestätigen Sie die Auswahl.



AN/AUS-SCHALTER KONTROLLLEUCHTE

Wird das Gerät angeschaltet, ertönt ein kurzer Signalton, die Kontrollleuchte leuchtet rot und der Drehknopf leuchtet blau.

Nach fünf Sekunden erscheint auf der Anzeige die Innentemperatur der Räucherkammer und der Bisquettenspender gibt eine Bisquette aus.

*Hinweis: Auf der Anzeige erscheint „OPEn“, wenn die Tür geöffnet ist.



KINDERSICHERUNG KONTROLLLEUCHTE

Nach 5 Minuten Inaktivität schaltet das Gerät die Kindersicherung ein. Bei aktivierter Kindersicherung sind alle anderen Einstellungen werden deaktiviert.

Um die Kindersicherung abzuschalten, halten Sie den Drehknopf 3 Sekunden lang gedrückt. Ein Warnton erklingt und das Symbol erlischt.

Um die Kindersicherung zu aktivieren, halten Sie den Drehknopf 3 Sekunden lang gedrückt. Ein Warnton erklingt und das Symbol leuchtet auf.

*Hinweis: Die Aktivierung der Kindersicherung hat keinen Einfluss auf die Bradley App.



TEMPERATURREGELUNG KNOPF

Durch Drücken des Symbols leuchtet dieses blau auf und auf der vierstelligen Anzeige erscheint die aktuelle Temperatur der Räucherkammer.

Drehen Sie den Drehknopf, bis auf der vierstelligen Anzeige die gewünschte Gartemperatur erscheint.

Drücken Sie den Drehknopf, um die Einstellung zu bestätigen.

**Hinweis: Einstellungen werden verworfen, wenn innerhalb von 5 Sekunden keine Bestätigung erfolgt.*

**Hinweis: Nach Auswahl der Gartemperatur muss die Garzeit ausgewählt werden. Erfolgt innerhalb von 60 Sekunden keine Auswahl, wird die Temperatureinstellung verworfen und das Symbol erlischt.*

**Hinweis: TOP 3-ANZEIGEN SIND KEINE KNOPFEN. SIE SIND NUR ANZEIGELEUCHTEN*

**Hinweis: TOUCH-TASTEN ERFORDERN NUR LEICHTE TOUCH. SIE SIND KEINE DRUCKTASTEN*



EINSTELLUNG DER GARZEIT KNOPF

Durch Drücken des Symbols leuchtet dieses blau auf und auf der vierstelligen Anzeige blinkt die Startzeit mit dem Wert 00:00.

Drehen Sie den Drehknopf, bis auf der vierstelligen Anzeige die gewünschte Garzeit erscheint. Drücken Sie den Drehknopf, um die Einstellung zu bestätigen. Der Timer läuft nun.

**Hinweis: Einstellungen werden verworfen, wenn innerhalb von 5 Sekunden keine Bestätigung erfolgt.*


Nachdem die Kammertemperatur ausgewählt wurde, schalten sich die Heizelemente  ein und




folgende Symbole leuchten auf:



**Hinweis: Um die verbleibende Garzeit anzuzeigen, Garzeit-Symbol drücken.*

**Hinweis: Hat die verbleibende Garzeit 00:00 erreicht, schalten sich die Heizer ab und ein Warnsignal ertönt für eine Minute. Um das Warnsignal abzuschalten, drücken Sie den Drehknopf.*

**Hinweis: Sie können die Garzeit jederzeit zurücksetzen, indem Sie das betreffende  Symbol 3 Sekunden lang gedrückt halten.*

Die Heizelemente  werden zusammen mit den Symbolen   abgeschaltet.



EINSTELLUNG DER RÄUCHERZEIT KNAUF

LADEN SIE IHRE BISQUETTEN NUR NACH ABGESCHLOSSENEM SCHRITT.

Durch Drücken des Symbols leuchtet dieses blau auf und auf der vierstelligen Anzeige blinkt die Startzeit mit dem Wert 00:20.

**Hinweis: Erfolgt innerhalb von 5 Sekunden keine Bestätigung, erscheint auf der Anzeige die Kammertemperatur.*

Drehen Sie den Drehknopf, bis auf der vierstelligen Anzeige die gewünschte Räucherzeit erscheint. Drücken Sie den Drehknopf, um die Einstellung zu bestätigen.

**Hinweis: Sobald der Brenner seine Betriebstemperatur erreicht hat (nicht anpassbar), erfolgt im Bisquetten-Spender eine halbe Drehung und eine Bisquette wird ausgegeben. Der Timer läuft.*

**Hinweis: Um die verbleibende Räucherzeit anzuzeigen, Räucherzeit-Symbol drücken.*

**Hinweis: Die Brennzeit einer Bisquette beträgt 20 Minuten (nicht anpassbar).*

**Hinweis: Eine Neueinstellung der Räucherzeit wirkt sich erst nach Ablauf der vorangehenden 20 Minuten aus. Hierdurch werden teilverbrannte Bisquetten vermieden.*

**Hinweis: Hat die verbleibende Garzeit 00:00 erreicht, ertönt für eine Minute ein Warnsignal. Um das Warnsignal abzuschalten, drücken Sie den Drehknopf.*

**Hinweis: Eine Minute vor Ablauf des Timers schaltet sich der Bisquettenbrenner automatisch ab, um ein Überbrennen der Bisquette zu vermeiden.*



BISQUETTENVORSCHUB KNAUPF

Um Bisquettes manuell einzuschieben, drücken Sie das Symbol. Das Symbol wird blau aufleuchten und der Drehteller wird sich um 2X halbe Umdrehung drehen. Der Einschub der neuen und die Entsorgung der alten Bisquette geschehen gleichzeitig. Während des Vorschubs zeigt die Anzeige „FEED“ an. Nach Abschluss des Vorgangs wird „DONE“ angezeigt.

Nachdem der Drehteller die halbe Drehung vollzogen hat, dreht er sich ein Stück zurück und die Innentemperatur der Räucherammer wird wieder angezeigt.

Hinweis: Die Wasserschale muss regelmäßig alle 2–3 Stunden entleert werden. Sonst besteht die Gefahr eines Bisquettenstaus.

Hinweis: Diese Schaltfläche dient hauptsächlich zum Entleeren des Systems am Ende der Rauchsitzung.

Hinweis: Stellen Sie zuerst Ihre Einstellungen ein, bevor Sie die Bisquettes laden. Andernfalls wird die Bisquette durch Drücken dieser Knauffen in die Wasserschale geschoben.



Fleischsonden 1/2

Durch Drücken des Symbols leuchtet dieses blau auf und auf der vierstelligen Anzeige erscheint die aktuelle Temperatur der Sonden.

**Hinweis: Die vierstellige Anzeige geht zurück auf die Kammertemperatur, falls innerhalb von 5 Minuten keine Bestätigung erfolgt.*

Drehen Sie den Drehknopf, bis auf der vierstelligen Anzeige die gewünschte Zieltemperatur erscheint. Drücken Sie den Drehknopf, um zu bestätigen.

**Hinweis: Einstellungen werden verworfen, wenn innerhalb von 5 Sekunden keine Bestätigung erfolgt.*

Sobald die Fleischsonde die gewünschte Zieltemperatur erreicht, blinkt das Symbol blau und ein Warnsignal ertönt für eine Minute. Um das Warnsignal abzuschalten, drücken Sie den Drehknopf.

Um die Einstellung der Fleischsonde abubrechen, halten Sie den Drehknopf drei Sekunden lang gedrückt.



TEMPERATUR °F/°C

Durch Drücken des Symbols leuchtet dieses blau auf und auf der vierstelligen Anzeige erscheint die aktuelle Temperatur in °F oder in °C. Drücken Sie das Symbol erneut, um die Einheit zu wechseln.

**Hinweis: Die Umrechnung von °F auf °C geschieht folgendermaßen: (°C) = (Fahrenheit (°F) - 32) ÷ 1,8*



PERSÖNLICHES REZEPT


Kopieren Sie das Rezept im .txt-Format in das Grundverzeichnis eines leeren USB-Sticks. Halten Sie das Symbol drei Sekunden lang gedrückt. Ein Signal ertönt. Führen Sie den USB-Stick ein. Auf der digitalen Anzeige erscheint „EEEE“.

**Hinweis: Während des Ladevorgangs den Räucherofen nicht abschalten. Nach Abschluss des Ladevorgangs startet das Gerät automatisch neu. Beim Entfernen von USB zeigt die Digitalanzeige kein EEEE*

Nach Abschluss des Vorgangs drücken Sie das Symbol erneut. Das Symbol leuchtet blau auf und die vierstellige Anzeige zeigt nun den Menü-Code 01 an. Drehen Sie den Drehknopf, bis auf der Anzeige der gewünschte Menü-Code zwischen 01-50 erscheint. Drücken den Drehknopf, um die Auswahl zu bestätigen. Nach der Bestätigung Ihrer Auswahl führt der Räucherofen das vom USB-Stick geladene Programm aus.

*Hinweis: Die Zubereitungsschritte Ihres persönlichen Rezept-Menüs wurden an einem PC programmiert und auf einen USB-Stick kopiert.



Um den Rezeptmenüvorgang abzubrechen, berühren Sie die Taste,  drehen Sie den Drehknopf, um den Menücode „0“ zu wählen, und drücken Sie den Drehknopf, um die Einstellung zu bestätigen, mit der der Menüvorgang abgebrochen wird.

Bitte führen Sie den USB-Stick in den seitlichen Anschluss Ihres Räucherofens ein, bevor Sie diese Option nutzen. Sie können insgesamt 50 Rezepte erstellen mit jeweils maximal 25 Gar- und Räuchervorgängen. Um die Bradley Custom Recipe Menu App herunterzuladen besuchen Sie unsere

<https://www.bradleymoker.com/bs1019-custom-recipes>

Der USB-Anschluss des Geräts ist nur für das Hochladen von Rezepten und das Aktualisieren der Smoker-Software vorgesehen.

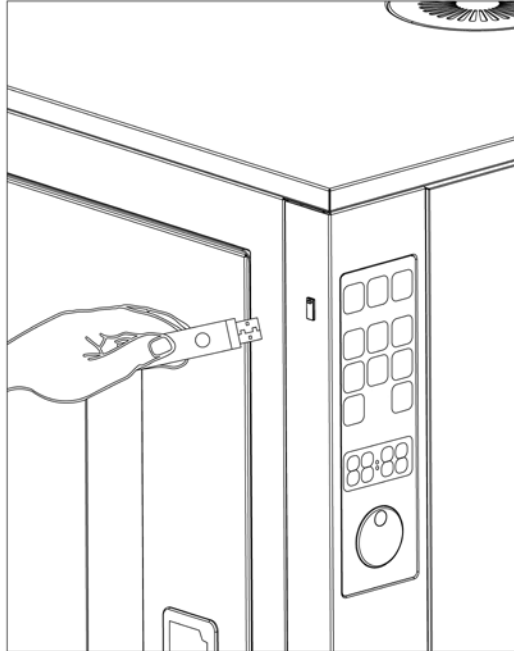
VERBINDEN SIE DAS GERÄT NICHT MIT DEN USB-ANSCHLÜSSEN VON COMPUTERN UND VERSORGEN SIE KEINE ANDEREN GERÄTE MIT STROM.

Andernfalls kann es zu einer Überlastung oder Fehlfunktion des Geräts kommen.

FIRMWARE-UPDATE

Gehen Sie auf <https://www.bradleysmoker.com/product/2019-digital-5-rack-smoker/>

Laden Sie die aktuelle Firmware herunter und speichern Sie die .bin-Datei auf einem USB-Stick.



Gehen Sie wie folgt vor:

1. Stellen Sie sicher, dass der Raucher eingeschaltet ist
2. Stecken Sie das USB-Flash-Laufwerk mit der heruntergeladenen .bin-Datei ein.
3. Berühren und halten Sie die Rezepttaste 3 Sekunden lang. Der Summer ertönt und der Raucher liest das Flash-Laufwerk.
4. Während des Update-Vorgangs erscheint auf der Anzeige EEEE.
5. Nach dem Update-Vorgang startet der Räucherofen automatisch neu.
6. Nach dem Neustart können Sie den USB-Stick entfernen.
7. Setzen Sie die Schutzabdeckung des USB-Anschlusses wieder ein.
8. Schalten Sie den Raucher aus, um die Softwareversion zu überprüfen oder zu bestätigen, dass sie installiert wurde.
9. Halten Sie den Drehknopf gedrückt, während Sie den Hauptschalter auf der Rückseite einschalten.
10. Das Display zeigt die aktuelle Softwareversion an.
11. Um den Raucher wieder normal zu starten, schalten Sie den Raucher 3 Sekunden lang aus und wieder ein

** Hinweis: Schalten Sie den Raucher während des Updates nicht aus.*

**Hinweis: Während des Update-Vorgangs den Räucherofen nicht abschalten. Die Software-Version wird bei jedem Einschalten des Geräts angezeigt.*

Der USB-Anschluss des Geräts ist nur für das Hochladen von Rezepten und das Aktualisieren der Smoker-Software vorgesehen.

VERBINDEN SIE DAS GERÄT NICHT MIT DEN USB-ANSCHLÜSSEN VON COMPUTERN UND VERSORGEN SIE KEINE ANDEREN GERÄTE MIT STROM.

Andernfalls kann es zu einer Überlastung oder Fehlfunktion des Geräts kommen.

BEVOR SIE UNS ANRUFEN

Bevor Sie unseren Kundendienst anrufen, besuchen Sie bitte unsere Bradley Kundendienst-Seite unter <https://www.bradleysmoker.com/product/2019-digital-5-rack-smoker/>

Lesen Sie sich dieses Benutzerhandbuch zur Fehlerbehebung durch. Weitere Informationen finden Sie auf der „Garantie“-Seite.

Um mit einem Mitarbeiter des Kundendienstes zu sprechen, halten Sie bitte Modell- sowie Seriennummer bereit. Beide Nummern finden Sie entweder auf dem Verpackungskarton, auf der Vorderseite des Benutzerhandbuchs oder auf der Rückseite der Räucherkammer.

Wir sind uns bewusst, dass Sie eine beträchtliche Investition getätigt haben und wir sind bestrebt Ihnen und Ihrem Räucherofen stets zur Seite zu stehen, damit Ihnen viele Jahre des sorgenfreien Räucherns bevorstehen.









Bitte zögern Sie nicht, unseren Kundendienst zu kontaktieren, falls Sie Fragen haben, oder falls der unwahrscheinliche Fall eintreten sollte, dass Ihr Bradley Smoker repariert werden muss. Wir sind immer für Sie da.







Bitte bewahren Sie Ihre Rechnungsunterlagen auf, um bei Bedarf die Garantie bestätigen zu können. Für Garantieangelegenheiten und den Kundendienst rufen Sie uns an unter: 1-866-508-7514 (gebührenfrei)

FEHLERSUCHE

FEHLERCODES

Um die Fehlersuche zu vereinfachen verfügt Ihr Räucherofen über eine eingebaute Mitteilungsfunktion, die Ihnen mögliche Fehlerursachen in Form von Fehlercodes anzeigt.

Fehlercode	Mitteilung in der App	Ursache und Fehlerbehebung
	FEHLER HEIZELEMENT	<p>Wenn der Temperaturanstieg innerhalb von 5 Minuten weniger als 8 Grad beträgt, und die Innentemperatur unter 80 % der Zieltemperatur liegt, wird dieser Fehlercode mit einem Warnton ausgegeben.</p> <p>Das Heizsymbol  blinkt. Zum Beenden Drehknopf drücken. Defektes Heizelement wechseln. Siehe Seite 23.</p>
	FEHLER BISQUETTENBRENNER	<p>Wenn die Brenntemperatur unter 100 Grad liegt und innerhalb von einer Minute um weniger als 3 Grad angestiegen ist, wird dieser Fehlercode mit einem Warnton ausgegeben.</p> <p>Das Räucherzeit-Symbol  blinkt. Zum Beenden Drehknopf drücken. Defektes Heizelement wechseln. Siehe Seite 24.</p>
	RÄUCHEROFEN ÜBERPRÜFEN, BISQUETTE KLEMMT	<p>Wenn innerhalb einer Minute keine Rotation am Drehteller festgestellt wurde, fährt der Drehteller für 10 Sekunden zurück und versucht danach erneut sich vorwärts zu bewegen. Nach drei gescheiterten aufeinander folgenden Versuchen wird dieser Fehlercode mit einem Warnton ausgegeben. Zum Beenden Drehknopf drücken. Verkantete Bisquette entfernen.</p>
	DER OFEN IST ZU HEISS! BITTE OFEN ÜBERPRÜFEN	<p>Im unwahrscheinlichen Fall, dass die Innentemperatur des Ofens 180 °C/356 °F  überschreitet, schaltet sich das Heiz-Symbol zusammen mit den Heizelementen ab und dieser Fehlercode wird zusammen mit einem Warnton ausgegeben. Der Alarm kann durch Drücken auf den Drehknopf erst abgeschaltet werden, wenn die Temperatur unter 170 °C/338 °F gefallen ist.</p>
	FEHLER TEMPERATURSENSOR RÄUCHERKAMMER	<p>Erkennt der Räucherofen einen Sensordefekt oder verliert die Verbindung, wird dieser Fehlercode mit einem Warnton ausgegeben. Zum Beenden Drehknopf drücken. Sensor und Anschluss prüfen. Zum Wechseln des Sensors siehe Seite 25.</p>

	<p>FEHLER TEMPERATURSENSOR BISQUETTENBRENNER</p>	<p>Erkennt der Räucherofen einen Sensordefekt oder verliert die Verbindung, wird dieser Fehlercode mit einem Warnton ausgegeben. Zum Beenden Drehknopf drücken. Sensor und Anschluss prüfen. Zum Wechseln des Sensors siehe Seite 24.</p>
 	<p>FLEISCHSONDE 1/2 NICHT VERBUNDEN</p>	<p>Erkennt der Räucherofen einen Sondendefekt oder verliert während der Messung die Verbindung, wird dieser Fehlercode mit einem Warnton ausgegeben. Zum Beenden Drehknopf drücken. Sensor und Anschlüsse prüfen.</p> <p><i>*Hinweis: Wurde der Sensor vor Inbetriebnahme nicht angeschlossen, erscheint keine Fehlermeldung.</i></p>
	<p>FLEISCHSONDE 1 NICHT KORREKT VERBUNDEN</p>	<p>Erkennt das System einen erhöhten Widerstand in der Sonde, wird diese Fehlermeldung angezeigt. Verbindung trennen und korrekt wiederverbinden.</p>
	<p>FLEISCHSONDE 2 NICHT KORREKT VERBUNDEN</p>	<p>Erkennt das System einen erhöhten Widerstand in der Sonde, wird diese Fehlermeldung angezeigt. Verbindung trennen und korrekt wiederverbinden.</p>
	<p>ALLE BEDIENELEMENTE SIND DEAKTIVIERT. BITTE TÜR SCHLIESSEN, UM MIT BETRIEB FORTZUFAHREN</p>	<p>Öffnet sich die Kammertür, wird diese Meldung angezeigt. Die Kammer funktioniert weiterhin wie vorgegeben, jedoch sind die Bedienelemente deaktiviert. Nach Schließen der Tür sind alle Bedienelemente wieder verfügbar und die Innentemperatur wird angezeigt.</p>

Hat Ihr Räuchergut die gewünschte Temperatur erreicht oder ist der Timer abgelaufen, kann eine der folgenden Mitteilungen erscheinen:

Mitteilung in Anzeige	Aktion
Symbol für Temperatur an Sonde 1 blinkt	Nur Tonsignal
Symbol für Temperatur an Sonde 2 blinkt	Nur Tonsignal
Zeit-Symbol blinkt	Tonsignal. Alle Heizelemente schalten sich ab.

SCHNELLREPARATUREN

Nur befugtes Fachpersonal darf Reparaturen an elektrischen Komponenten dieses Geräts vornehmen. Bradley Technologies Canada Inc. übernimmt keine Haftung für etwaige Fehlfunktionen oder Schäden, die sich aus unsachgemäßen Reparaturen an elektrischen Bauteilen ergeben.

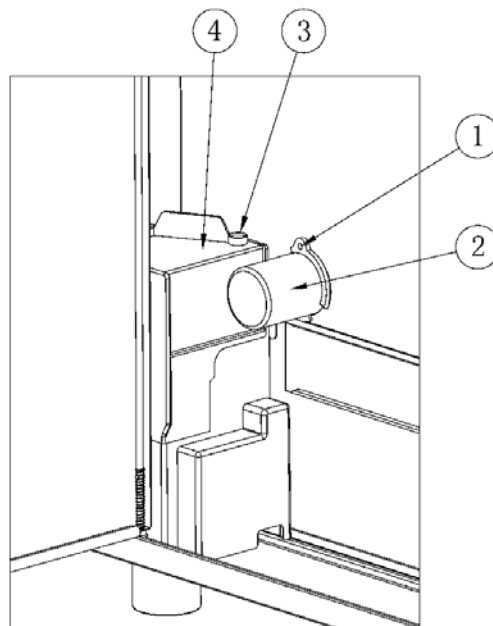
Austausch des Hauptheizelements



Dieser Fehler tritt auf, wenn ein Heizelement oder beide Heizelemente keine Wärme an die Räucherammer abgeben. Das Betriebssystem vergleicht die Zieltemperatur mit der tatsächlichen Temperatur. Liegt die gemessene Temperatur 8 Grad unter der Zieltemperatur, wird diese Fehlermeldung samt akustischem Warnton ausgegeben.

Zum Austausch des Heizelements folgen Sie diesen Schritten:

1. Schalten Sie den Netzschalter auf AUS. Siehe die Position des Schalters (9) auf Seite 7.
2. Entfernen Sie das Netzkabel aus der Steckdose.
3. Geben Sie dem Räucherofen genug Zeit, sich nach dem Gebrauch abzukühlen.
4. Entfernen Sie die Kreuzschlitzschraube (1) auf der Oberseite der Heizelementabdeckung (2).
5. Drehen Sie die Heizelementabdeckung (2) gegen den Uhrzeigersinn und ziehen Sie sie vorsichtig ab.
6. Trennen Sie das Stromkabel vom Heizelement.
7. Ziehen das Heizelement aus dem Anschluss.



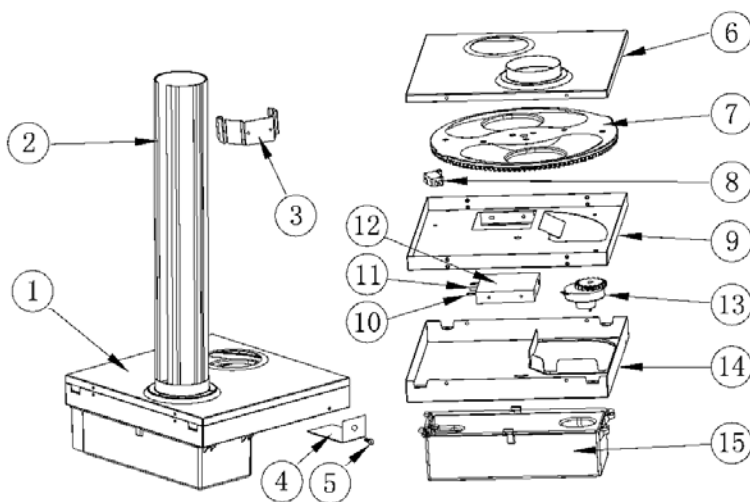
SCHNELLREPARATUREN

Nur befugtes Fachpersonal darf Reparaturen an elektrischen Komponenten dieses Geräts vornehmen. Bradley Technologies Canada Inc. übernimmt keine Haftung für etwaige Fehlfunktionen oder Schäden, die sich aus unsachgemäßen Reparaturen an elektrischen Bauteilen ergeben.



Austausch Bisquettenbrenner und Brennersensor

Dieser Fehler tritt auf, wenn beide oder eines der Bauteile keine Hitze an den Bisquettenbrenner abgeben. Liegt die Brenntemperatur unter 100 Grad, oder ist sie innerhalb von einer Minute um weniger als 3 Grad angestiegen, wird diese Fehlermeldung samt akustischem Warnton ausgegeben.



1. Raucherzeuger
2. Füllrohr
3. Füllrohrhalterung
4. Führungsschiene (*befindet sich auf der Innenseite der Räucherammer*)
5. Befestigungsschrauben
6. Abdeckung Raucherzeuger
7. Drehteller
8. Stellschalter
9. Mittelplatte Raucherzeuger
10. Bisquettenheizer
11. Sensor Bisquettenbrenner
12. Bisquettenbrennerplatte
13. Antrieb
14. Trägerplatte Raucherzeuger
15. Kontrolleinheit Brenner

Zum Austausch des Heizelements* folgen Sie diesen Schritten:

1. Schalten Sie den Netzschalter auf AUS. Siehe die Position des Schalters (9) auf Seite 7.
2. Entfernen Sie das Netzkabel aus der Steckdose.
3. Geben Sie dem Räucherofen genug Zeit, sich nach dem Gebrauch abzukühlen.
4. Entfernen Sie die Bisquetten sowie das Füllrohr (2).
5. Zum Entfernen des Raucherzeugers die Kreuzschlitzschraube (5) in der Räucherammer (Seite 9) lösen.
6. Zum Entfernen der Kabelabdeckung (4) die Kreuzschlitzschraube (3) im Seitenfach (Seite 23) lösen.
7. Kabelabdeckung senkrecht herausziehen. 8. Die zwei Kabelstranganschlüsse trennen.
9. Raucherzeuger vorsichtig herausziehen. 10. Kontrolleinheit des Brenners entfernen (15).
11. Lösen Sie die vier unteren Schrauben, die Mittelplatte (9) und Trägerplatte (14) des Raucherzeugers verbinden.
12. Trennen Sie die Kabel des Bisquettenheizers (10) und des Brennersensors (11).
13. Lösen Sie die vier Befestigungsschrauben der Brennerplatte und entfernen Sie diese.
14. Lösen Sie die vier Befestigungsschrauben des Brennersensors und ziehen Sie ihn vorsichtig ab.

***Hinweis:** Diese Anleitung gilt auch für den Austausch des Antriebs (13). Zum Austausch des Stellschalters (8) die vier Schrauben der Abdeckung (6) lösen. Für Zugang zum Schalter (8) Abdeckung entfernen.

SCHNELLREPARATUREN

Nur befugtes Fachpersonal darf Reparaturen an elektrischen Komponenten dieses Geräts vornehmen. Bradley Technologies Canada Inc. übernimmt keine Haftung für etwaige Fehlfunktionen oder Schäden, die sich aus unsachgemäßen Reparaturen an elektrischen Bauteilen ergeben.

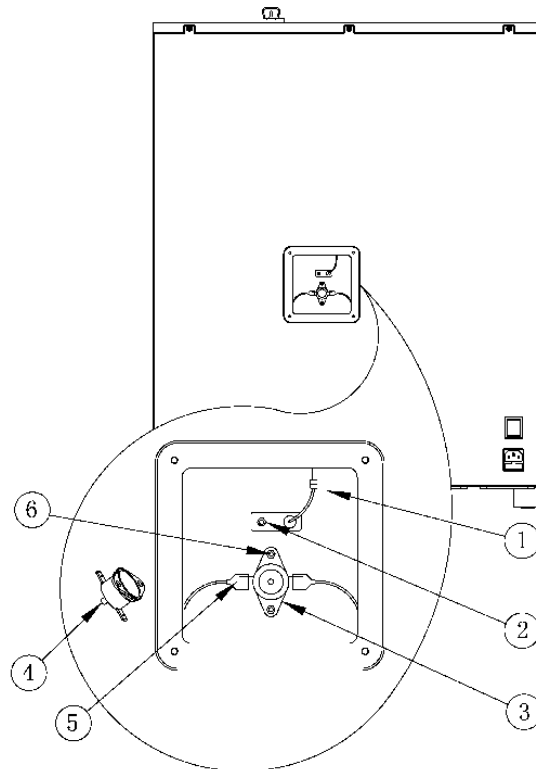
Austausch Räucherkammer-Sensor und Temperatur-Begrenzungsschalter



Wenn der Räucherofen einen Sensorfehler erkennt oder die Verbindung abbricht, wird diese Fehlermeldung samt akustischem Warnton ausgegeben. Zum Beenden Drehknopf drücken. Überprüfen Sie den Sensor und seine Anschlüsse.

Zum Austausch des Sensors folgen Sie diesen Schritten:

1. Schalten Sie den Netzschalter auf AUS. Siehe die Position des Schalters (9) auf Seite 7.
2. Entfernen Sie das Netzkabel aus der Steckdose.
3. Geben Sie dem Räucherofen genug Zeit, sich nach dem Gebrauch abzukühlen.
4. Entfernen Sie alle Roste aus dem Räucherofen.
5. Lösen Sie die vier Befestigungsschrauben der Sensorabdeckung. Siehe Nr. 11 auf Seite 7.
6. Entfernen Sie die Abdeckung sowie ein Stück der Sensorisolierung.
7. Trennen Sie den Kabelanschluss des Sensors (1).
8. Halten Sie den Sensor und lösen Sie die Kreuzschlitzschraube (2) auf der Innenseite der Räucherkammer. Wechseln Sie nun den Sensor aus.
9. Der Temperatur-Begrenzungsschalter (3) befindet sich gleich unterhalb des Temperatursensors.
10. Durch Drücken des mittleren Knopfes (4) auf dem Schalter kann dieser zurückgesetzt werden.
11. Zum Austausch des Schalters Kabel auf beiden Seiten abziehen (5) und beide Kreuzschlitzschrauben (6) lösen.



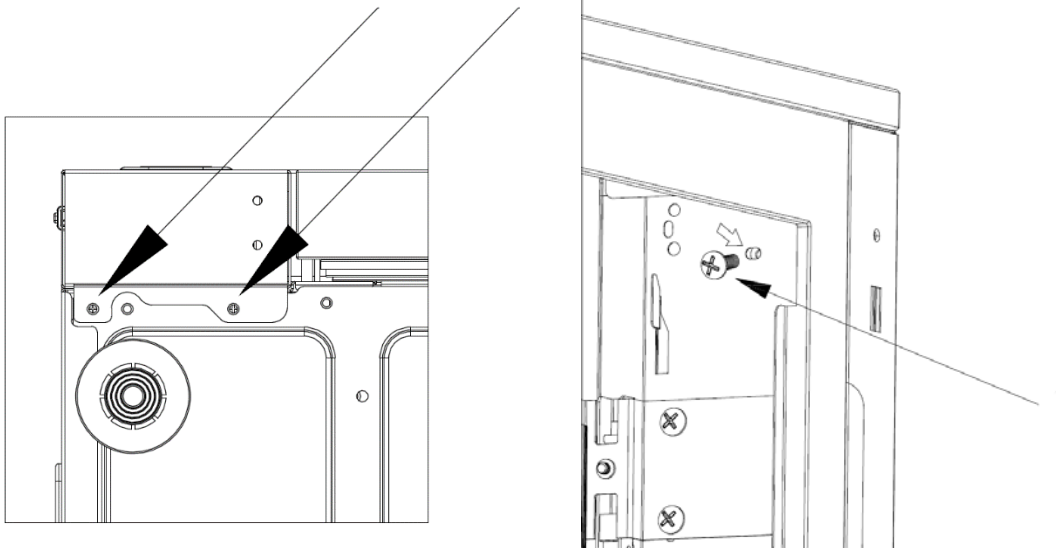
SCHNELLE REPARATUREN

Nur befugtes Fachpersonal darf Reparaturen an elektrischen Komponenten dieses Geräts vornehmen. Bradley technologies Canada Inc. übernimmt keine Haftung für etwaige Fehlfunktionen oder Schäden, die sich aus unsachgemäßen Reparaturen an elektrischen Bauteilen ergeben.

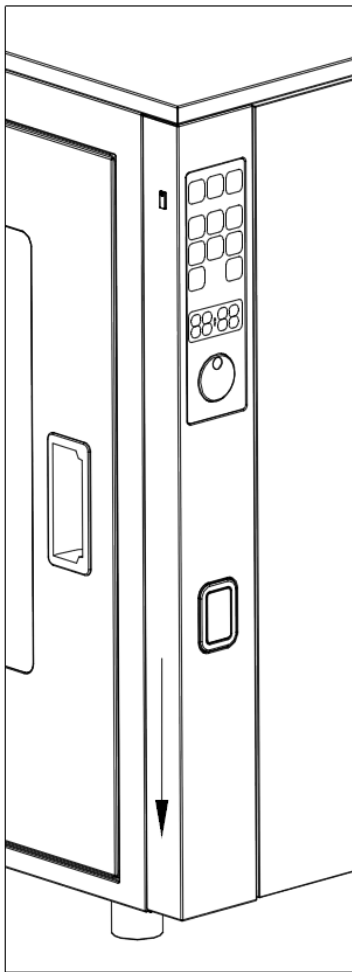
Austausch des Kontrollanzeigefeldes

Im Falle eines fehlerhaften Displays, das ausgetauscht werden muss, gehen Sie bitte folgendermaßen vor:

1. Schalten Sie den Netzschalter auf AUS. Siehe die Position des Schalters (9) auf Seite 7.
2. Entfernen Sie das Netzkabel aus der Steckdose.
3. Achten Sie darauf, dem Smoker nach Gebrauch ausreichend Zeit zum Abkühlen zu geben.
4. Entfernen Sie alle Gestelle, Schalen und den Auslöseeinsatz.
5. Entfernen Sie den Zuführungsschlauch und die darin befindlichen Bisquetten.
6. Stellen Sie den Smoker mit seiner Rückseite auf eine ebene und glatte Oberfläche.
7. Entfernen Sie 2 Schrauben von der unteren Befestigungsplatte (siehe Abbildung unten)
8. Öffnen Sie die Seitentür und entfernen Sie die dritte Schraube (siehe Abbildung unten)

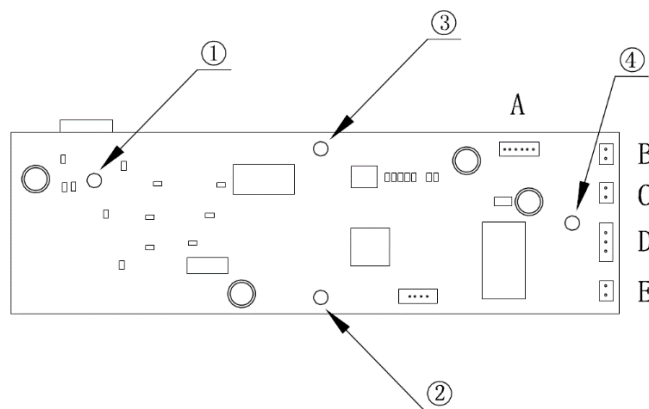


Fortsetzung auf Seite 27



9. Drücken Sie den Türknopf nach unten und ziehen Sie das gesamte vertikale Metallpanel vorsichtig nach unten, bis es sich löst.

Siehe die Abbildung unten links



Siehe die „Citquit Board“-Abbildung oben rechts

10. Ziehen Sie vorsichtig alle Kabelbuchsen nacheinander ab und legen Sie sie beiseite.
- A. Hauptkabelbaum
 - B. Fleischsondendraht 1
 - C. Fleischsondendraht 2
 - D. Kabel des Schranktemperatursensors
 - E. Türschalterkabel
11. Entfernen Sie die Kreuzschlitzschrauben (1 - 4), mit denen die Anzeigeplatine befestigt ist.
12. Entfernen Sie die Platine vorsichtig aus ihrer Position.
13. Achten Sie beim Entfernen der Platine darauf, dass der USB-Anschluss nicht hinter der Panelkante hängen bleibt.
14. Installieren Sie die neue Anzeigeplatine in umgekehrter Reihenfolge der oben beschriebenen Schritte.

ELEKTRISCHE DATEN

Nennspannung	120 / 220-240 V AC (Lieferzustand länderspezifisch)
Nennfrequenz	50 / 60 Hz
Nennleistung	1000 W
Hauptheizelement	2 x 400 W
Bisquettenbrenner	2 x 100 W

FASSUNGSVERMÖGEN

Innenvolumen	76 l
Garroste	5 Roste maximal (4 mitgeliefert)
Garfläche	5 x 0,13 m ² /5 x 201,6 Zoll ²

BETRIEBSDATEN

GARZEIT

Einstellbereich Garzeit	0–10 h
Regelungsintervall Garzeit	10 min

RÄUCHERZEIT

Einstellbereich Räucherzeit	00:20–9:40 h
Regelungsintervall Räucherzeit	20 min

BETRIEBSTEMPERATUREN

Betriebstemperaturbereich Räucherammer	30–150 °C/86–300 °F
Regelungsintervall Räucherammer	1 °C/1 oder 2 °F
Zulässige Umgebungstemperatur	-9 bis +50 °C/15,8–122 °F

**Hinweis: Heizelemente schalten sich AUS, sobald die Zieltemperatur erreicht ist und sie schalten sich wieder AN, sobald die Temperatur 2 Grad unter die Zieltemperatur fällt.*

**Hinweis: Die Meldung COLD wird angezeigt, sobald die Umgebungstemperatur unter -10 °C/14 °F fällt. Die Räucherammer lässt sich nicht einschalten.*

BETRIEBSDATEN FLEISCHSONDEN

Einstellbereich Zieltemperatur bei Verbindung zu Räucherofen	5–100 °C/41–212 °F
Regelungsintervall	1 °C/1 oder 2 °F
Messbereich Räuchergut	0–100 °C/0–212 °F

**Hinweis: Die Fleischsonden sind nicht spülmaschinenfest.*

**Hinweis: Für beste Ergebnisse lassen Sie die Fleischsonden stets angeschlossen.*

GARANTIE

Für den Bradley Smoker wird eine einjährige Garantie gegen Herstellungsmängel gewährt.

Voraussetzungen und Einschränkungen:

Die Garantiefrist beginnt mit dem Kaufdatum. Bewahren Sie Ihre Rechnung als Beleg für das Kaufdatum auf. Der Umfang der Garantie beschränkt sich auf die Reparatur oder den Austausch von Bauteilen nach Ermessen der Bradley Technologies Inc.

Bradley Technologies Inc. stellt nach seinem Ermessen Austauschteile zur Verfügung, die von Bradley Technologies Inc. als defekt eingeschätzt werden und trägt für eine etwaige Montage keine Haftung.

Diese beschränkte Garantie ist nicht übertragbar und deckt ausschließlich Herstellungsfehler ab. Ausgeschlossen ist jede Art von Schadenersatz für persönliche Unannehmlichkeiten, Lebensmittel, Verletzungen oder Sachbeschädigung.

Die Garantie gilt nur in dem Land, in dem das Gerät erworben wurde. Porto- und Verpackungskosten für Ersatzteilbestellungen außerhalb der Garantieleistung fallen zulasten des Kunden.

Die Seriennummer des Räucherofens muss bei allen Garantieansprüchen angegeben werden. Bradley Technologies nimmt Folgendes von der Garantie aus:

Defekte und Beschädigungen, die sich aus einem Unfall, unsachgemäßem Gebrauch, baulicher Änderung, fehlerhafter Montage und mutwilliger Beschädigung ergeben, sind nicht abgedeckt. Beschädigungen infolge von Wettereinflüssen einschließlich – aber nicht beschränkt auf – Hagel, Hurrikane, Tornados, Erdbeben, Wind, Regen oder Schnee sind nicht abgedeckt.

Normale Abnutzung sowie Absplitterungen und Kratzer an Oberflächen sind nicht abgedeckt. Verfärbungen aufgrund von Sonneneinwirkung, Hitze oder Chemikalien sind nicht abgedeckt. Bauliche Änderungen an originalen Bauteilen oder am gesamten Räucherofen führen zum Erlöschen der Garantie.

Unterlassung einer regelmäßigen Wartung, Sicherheitskontrollen und Inspektionen einschließlich – aber nicht beschränkt auf – Entfernung von Fettresten, die zu Stichflammen führen oder Schäden durch Fettbrände sind von dieser Garantie nicht abgedeckt.

Für Ihre Zufriedenheit und weitergehende Service-Leistungen registrieren Sie Ihren Räucherofen bitte online unter: www.bradleysmoker.com

Für Garantieangelegenheiten und den Kundendienst rufen Sie uns bitte an unter: 1-866-508-7514 (gebührenfrei)

Diesen Artikel richtig verwerfen



Diese Kennzeichnung weist darauf hin, dass dieses Produkt in der gesamten EU nicht mit dem Hausmüll entsorgt werden darf. Um mögliche Umwelt- oder Gesundheitsschäden durch unkontrollierte Entsorgung von Abfällen zu vermeiden, recyceln Sie diese verantwortungsbewusst, um die nachhaltige Wiederverwendung von Materialressourcen zu fördern. Um Ihr gebrauchtes Gerät zurückzugeben, verwenden Sie bitte das Rückgabe- und Sammelsystem oder wenden Sie sich an den Händler, bei dem Sie das Produkt gekauft haben. Sie können dieses Produkt für ein umweltverträgliches Recycling verwenden.